



Features

- H.265 codec decoding
- Max 200Mbps Incoming Bandwidth
- Up to 8MP Resolution for Preview and Playback
- HDMI/VGA simultaneous video output
- Support IPC UPnP, 16PoE ports
- Support ANR technology to enhance the storage reliability when the network break down



16 Channel 1U H.265 Standard Network Video Recorder

System Overview

Snappy's NVR2164K16P-SS is the first Standard series NVRs which can support 4K and H.265. And, it has the most reasonable price and best quality. This Standard NVR provides up to 8MP resolution. For applications where details are critical for identification, it provides a powerful image performance with up to 4K resolution. Additionally, the NVR features a mouse shortcut operation menu, remote management and control, centre storage, edge storage, and back up storage.

Designed as a cost-effective, easy installation, this NVR is ideal for a wide range of applications such as public safety, water conservancy, transportation, city centers, education, and financial institutions.

The NVR is compatible with numerous third-party devices making it the perfect solution for surveillance systems with or without a video management system (VMS). Its open architecture supports multi-user access and is compatible with ONVIF 2.4, enabling interoperability when combined with IP cameras.

FUNCTIONS

4K Resolution

The NVR supports 4K ultra HD resolution (3840 x 2160) for recording, live viewing and playback.

Intelligent Video System (Optional)

Working with built-in intelligent video analytics IP cameras, the NVR has the ability to detect and analyze moving objects for improved video surveillance. The NVR provides optional standard intelligence at the edge allowing detection of multiple object behaviors such as abandoned or missing objects. IVS also supports Tripwire analytics, allowing the camera to detect when a pre-determined line has been crossed, People Counting, ideal for business intelligence, and Face Detection, for searching or identification of individuals.

Smart Add

With the Smart Add function, the installation of IP system is as easy as an analog system, no matter the NVR with or without a PoE switch embeded. It should be noted that the NVR has to be in the same router as cameras.

ANR (Automatic Network Replenishment Technology)

Video record in SD card in IP cameras when the network breaks down, and after the network recovered, the video will be transferred to NVR and then recorded in it.

Easy4ip

You can monitor at anytime and anywhere with Easy4ip. With this function, you can manage your devices more convenient.

Technical Specification

System

Main Processor	Quad-core embedded processor
Operating System	Embedded LINUX

Display

Interface	1 HDMI, 1 VGA
Resolution	3840×2160, 1920×1080, 1280×1024, 1280×720, 1024×768
Multi-sceen Display	1/4/8/9/16
OSD	Camera title, Time, Video loss, Camera lock, Motion detection, Recording

Video Detection and Alarm

Trigger Events	Recording, PTZ, Tour, Video Push, Email, FTP, Snapshot, Buzzer and Screen Tips
Video Detection	Motion Detection, MD Zones: 396 (22 × 18), Video Loss & Tampering
Alarm input	4 Channel, Low Level Effective, Green Terminal Interface
Relay Output	2 Channel, NO/NC Programmable, Green Terminal Interface

Playback and Backup

Playback	1/4/9/16
Search Mode	Time /Date, Alarm, MD and Exact Search (accurate to second), Smart search
Playback Function	Play, Pause, Stop, Rewind, Fast play, Slow Play, Next File, Previous File, Next Camera, Previous Camera, Full Screen, Repeat, Shuffle, Backup Selection, Digital Zoom
Backup Mode	USB Device/Network

Storage

Internal HDD	2 SATA III Port, Up to 6 TB capacity for each HDD
HDD Mode	Single
eSATA	N/A

Auxiliary Interface

USB	2 USB Ports (1 USB2.0, 1 USB3.0)
RS232	N/A
RS485	N/A

Third-party Support

Third-party Support	Arecont Vision, AXIS, Bosch, Brickcom, Canon, CP Plus, Dynacolor, Honeywell, Panasonic, Pelco, Samsung, Sanyo, Sony, Videotek and more
---------------------	--

Audio and Video

IP Camera Input	16 Channel
Two-way Talk	1 Channel Input, 1 Channel Output, RCA

Recording

Compression	H.265
Resolution	8Mp/ 6Mp/ 5MP/ 4MP/ 3MP/ 1080P/ 1.3MP/ 720P etc.
Record Rate	200Mbps
Bit Rate	16Kbps ~ 20Mbps Per Channel
Record Mode	Manual, Schedule (Regular, Continuous), MD (Video detection: Motion Detection, Tampering, Video Loss), Stop
Record Interval	1 ~ 120 min (default: 60 min), Pre-record: 1 ~ 30 sec, Post-record: 10 ~ 300 sec

Network

Interface	2 RJ-45 Ports(10/100/1000Mbps)
Ethernet Port	2 Ethernet Ports Joint Working or 2 Independent 1000Mbps Ethernet Ports
PoE	N/A
Network Function	HTTP, HTTPS, TCP/IP, IPv4/IPv6, UPnP, RTSP, UDP, SMTP, NTP, DNS, IP Filter, PPPoE, DDNS, FTP, IP Search (Support Snappy IP camera, DVR, NVS, etc.), Easy4ip
Max. User Access	128 users
Smart Phone	iPhone, iPad, Android
Interoperability	ONVIF 2.4, CGI Conformant

Electrical

Power Supply	AC100V ~ 240V, 50 ~ 60 Hz
Power Consumption	<11.7W (Without HDD)

Environmental

Operating Conditions	-10°C ~ +55°C (+14°F ~ +131°F), 86 ~ 106kpa
Storage Conditions	-20°C ~ +70°C (-4°F ~ +158°F), 0 ~ 90% RH

Construction

Dimensions	1U, 375mm×327.5mm×53mm (14.8" x 12.9" x2.1")
Net Weight	2.7kg (6.0 lb) (without HDD)
Gross Weight	4.4kg(9.7lb)(without HDD)

Technical Specification

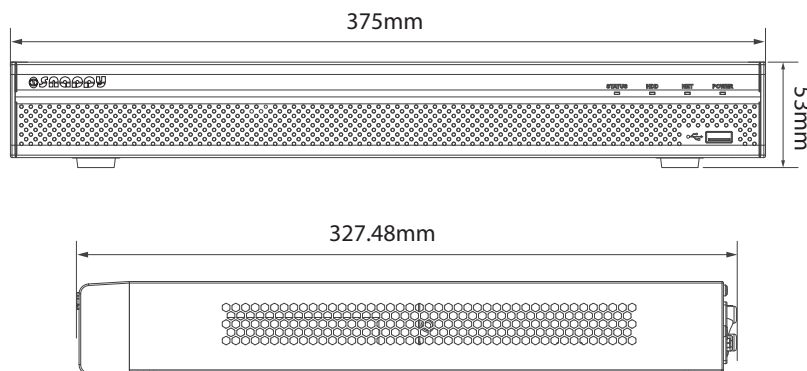
Certifications

CE	EN55032, EN55024, EN50130-4, EN60950-1
FCC	Part 15 Subpart B, ANSI C63.4-2014
UL	UL60950-1+CAN/CSA C22.2 No.60950-1

Ordering Information

Type	Model Number	Description
16 Channel NVR	NVR2164K16P-SS	16 Channel 1U 16PoE 4K&H.265 Standard Network Video Recorder
Accessories	N/A	N/A

Dimensions



Mailing Address: VOSTOK Trading L.L.C,
304, 3rd Floor, Al Tawhidi Building,
Khaled Bin Waleed Road,
P.O. Box: 27106 - Dubai,
UNITED ARAB EMIRATES.

Contact Details: Tel: (+971 4) 3558816
Fax: (+971 4) 3558817
Email : sales1@snappy.ae /
sales2@snappy.ae /
sales3@snappy.ae