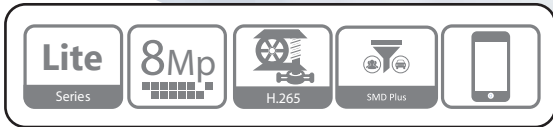


NETWORK VIDEO RECORDER

4 Channel Compact 1U 1HDD 4PoE Lite 4K H.265



Features

- Smart H.265+/Smart H.264+/H.265/H.264
- Max 80Mbps incoming bandwidth
- Up to 8Mp resolution preview&playback
- Up to 1ch@8MP/4ch@1080P decoding
- HDMI/VGA simultaneous video output
- Support IPC UPnP, 4PoE ports

System Overview

Snappy is capable of transmitting 8MP image. It helps to save up to 50% HDD and storage space with its H.265 decoding technology compared with H.264. Due to its cost-effective and easy-to-install design, this NVR is ideal for a wide range of applications such as home safety, grocery, warehouse, education, and financial institutions.

The NVR is compatible with numerous third-party devices making it the perfect solution for surveillance systems that work independently of video management system (VMS). It features an open architecture that supports for multi-user access and is compatible with ONVIF 2.4 protocol, enabling interoperability with IP cameras.

Functions

SMD Plus by Camera

With intelligent algorithm, Snappy Smart Motion Detection technology can categorize the targets that trigger motion detection and filter the motion detection alarm triggered by non-concerned targets to realize effective and accurate alarm.

4K Resolution

4K resolution is a revolutionary breakthrough in image processing technology. 4K delivers four times the resolution of standard HDTV 1080p cameras and offers superior picture quality and image details. 4K resolution improves the clarity of a magnified scene to view or record crisp forensic video from large areas.

Smart Codec

With advanced scene-adaptive rate control algorithm, Snappy smart codec technology realizes the higher encoding efficiency than H.265 and H.264, provides high-quality video, and reduces the cost of storage and transmission.

ANR (Automatic Network Replenishment Technology)

Video record in SD card in IP cameras when the network breaks down, and after the network recovered, the video will be transferred to device and then recorded in it.

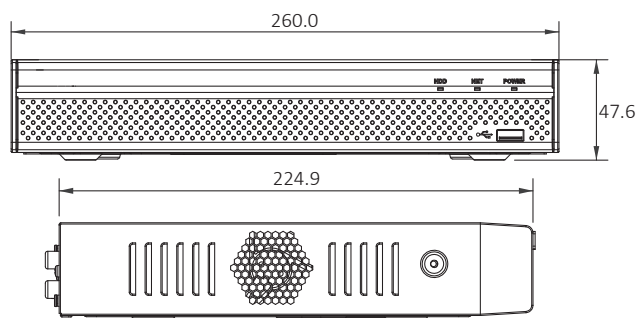
Technical Specification

System	
Main Processor	Dual-core embedded processor
Operating System	Embedded LINUX
Audio and Video	
IP Camera Input	4 Channel
Two-way Talk	1 Channel Input, 1 Channel Output, RCA
Display	
Interface	1 HDMI, 1 VGA
Resolution	HDMI: 3840×2160, 1920×1080, 1280×1024, 1280×720
	VGA: 1920×1080, 1280×1024, 1280×720
Decoding Capacity	1ch@8MP 30fps, 4ch@1080P 30fps
Multi-screen Display	1/4
OSD	Camera title, Time, Camera lock, Motion detection, Recording
Recording	
Compression	Smart H.265+/H.265/Smart H.264+/H.264
Resolution	8MP/6MP/5MP/4MP/3MP/1080P/720P/D1&etc.
Record Rate	80Mbps
Bit Rate	16Kbps ~ 20Mbps Per Channel
Record Mode	Manual, Schedule (Continuous, MD (Motion Detection), Alarm, IVS)
Record Interval	1~120 min (default: 60 min), Pre-record: 1~30 sec, Post-record: 10~300 sec
Video Detection and Alarm	
Trigger Events	Recording, PTZ, Tour, Video Push, Snapshot, and Screen Tips
Video Detection	Motion Detection, MD Zones: 396 (22 × 18), and Tampering
Alarm input	N/A
Relay Output	N/A
Playback and Backup	
Sync Playback	1/4
Search Mode	Time /Date, MD and Exact Search (accurate to second)
Playback Function	Play, Pause, Stop, Rewind, Fast play, Slow Play, Next File, Previous File, Next Camera, Previous Camera, Full Screen, Shuffle, Backup Selection, Digital Zoom
Backup Mode	USB Device/Network

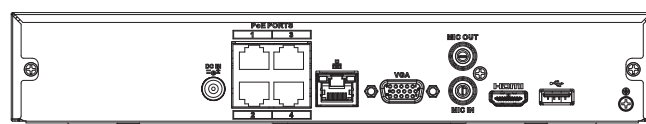
Third-party Support

Third-party Support	Onvif, RTSP
Network	
Interface	1 RJ-45 port (10/100Mbps)
PoE	4 ports (IEEE802.3at/af)
Network Function	HTTP/HTTPS, TCP/IP, IPv4/IPv6, RTSP, UDP, NTP, DHCP, DNS, IP Filter, DDNS, IP Search(Support Snappy IP camera, DVR, NVS and etc.), P2P
Optical Fiber Interface	N/A
Max. User Access	128 users
Smart Phone	iPhone, iPad, Android
Interoperability	ONVIF 2.4, SDK, CGI
Storage	
Internal HDD	1 SATA III port, up to 10 TB for a single HDD. The maximum HDD capacity varies with environment temperature
HDD Mode	Single
eSATA	N/A
Auxiliary Interface	
USB	2 ports (1 Rear USB2.0, 1 Front USB2.0)
RS232	N/A
RS485	N/A
Electrical	
Power Supply	Single, DC48V/1.25A
Power Consumption	NVR: <5.3W (without HDD)
	PoE: Max 25.5w for single port, 50w in total
Environmental	
Operating Conditions	-10°C to +55°C (+14°F to +131°F), 86–106kpa
Storage Conditions	0°C to +40°C (+32°F to +104°F), 30–85% RH
Construction	
Dimensions(W×D×H)	Compact 1U, 260 mm × 224.9 mm × 47.6 mm (10.2" × 8.9" × 1.9")
Net Weight	0.8 kg (1.76 lb) (without HDD)
Gross Weight	1.6 kg (3.53 lb) (without HDD)
Certifications	
CE	EN55032, EN55024, EN50130-4, EN60950-1
FCC	Part 15 Subpart B, ANSI C63.4-2014
UL	UL60950-1

Dimensions (mm)



Rear Panel



Mailing Address

VOSTOK Trading L.L.C,
304, 3rd Floor, Al Tawhidi Building,
Khaleed Bin Waleed Road,
P.O. Box: 27106 - Dubai,
UNITED ARAB EMIRATES.

www.snappy.ae

Contact Details

Tel: (+971 4) 3558816
Fax: (+971 4) 3558817
Email : sales1@snappy.ae /
sales2@snappy.ae /
sales3@snappy.ae