

4MP Bullet Camera

Model No:
IP-B4MVAC1-SS



Features

- 4MP, 1/3" CMOS image sensor, low illuminance, high image definition
- Outputs 4MP (2560 × 1440)@25/30 fps, max. supports 4MP (2688 × 1520) @ 20 fps
- H.265 codec, high compression rate, ultra-low bit rate
- Built-in IR LED, max IR distance: 60 m
- ROI, SMART H.264+/H.265+, flexible coding, applicable to various bandwidth and storage environments
- Rotation mode, WDR, 3D NR, HLC, BLC, digital watermarking, applicable to various monitoring scenes
- Intelligent detection: Intrusion, tripwire
- Abnormality detection: Motion detection, video tampering, no SD card, SD card full, SD card error, network disconnected, IP conflict, illegal access, local alarm, voltage detection, audio abnormal
- Alarm: 1 in, 1 out; audio: 1 in, 1 out; supports max. 256 GB Micro SD card
- 12V DC/PoE power supply
- IP67 protection, IK10 protection (optional)

Series Overview

With upgraded H.265 encoding technology, Snappy Lite series network camera has efficient video encoding capacity, which saves bandwidth and storage space. This camera adopts the latest starlight technology and displays better color image in the condition of low illumination. It supports SD card storage, dust-proof function, waterproof function and vandal-proof function, complying with the standards of IP67 and IK10 (Supported by some select models).

Functions

Smart H.265+ & Smart H.264+

With advanced scene-adaptive rate control algorithm, Snappy smart encoding technology realizes the higher encoding efficiency than H.265 and H.264, provides high-quality video, and reduces the cost of storage and transmission.

WDR

With advanced Wide Dynamic Range (WDR) technology, Snappy network camera provides clear details in the environment of strong brightness contrast. The bright and dark area can get clear video even in high brightness environment or with backlight shadow.

Starlight

With advanced image processing technology and optical technology, Snappy Starlight technology can provide clear colorful video in the environment of low illuminance. It widely applies to various environments of low illuminance.

IVS

With advanced video algorithm, Snappy IVS technology supports intelligent functions, such as tripwire and intrusion.

Cyber Security

Snappy network camera is equipped with a series of key security technologies, such as security authentication and authorization, access control, trusted protection, encrypted transmission, and encrypted storage, which improve its security defense and data protection, and prevent malicious programs from invading the device.

Protection (IP67, wide voltage)

IP67: The camera passes a series of strict test on dust and soak. It has dust-proof function, and the enclosure can works normal after soaking in 1 m deep water for 30 minutes.

Wide voltage: The camera allows $\pm 30\%$ (for some power supplies) input voltage tolerance (wide voltage range), and it is widely applied to outdoor environment with instable voltage.

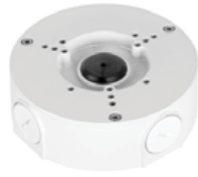
Technical Specification

Camera					
Image Sensor	1/3" 4Megapixel progressive CMOS				
Effective Pixels	2688 (H) × 1520 (V)				
ROM	128 MB				
RAM	128 MB				
Scanning System	Progressive				
Electronic Shutter Speed	Auto/Manual 1/3 s–1/100000 s				
Min. Illumination	0.008 Lux @ F1.5				
S/N Ratio	>56 dB				
Illumination Distance	60 m (196.85 ft)				
Illuminator On/Off Control	Auto/Manual				
Illuminator Number	2 (IR LED)				
Pan/Tilt/Rotation Range	Pan: 0°–360° Tilt: 0°–90° Rotation: 0°–360°				
Lens					
Lens Type	Motorized vari-focal				
Mount Type	φ14				
Focal Length	2.7 mm–13.5 mm				
Max. Aperture	F1.5				
Field of View	Horizontal: 104°–27° Vertical: 55°–15° Diagonal: 124°–31°				
Iris Type	Fixed				
Close Focus Distance	0.8 m–0.8 m (2.62 ft–2.62 ft)				
DORI Distance	Lens	Detect	Observe	Recognize	Identify
	W	64 m (209.97 ft)	25.6 m (83.99 ft)	12.8 m (41.99 ft)	6.4 m (21.00 ft)
	T	220 m (721.78 ft)	88 m (288.71 ft)	44 m (144.36 ft)	22 m (72.18 ft)
Smart Event					
IVS	Tripwire; intrusion				
Video					
Video Compression	H.265; H.264; H.264B; MJPEG (only supported by the sub stream)				
Smart Codec	Smart H.265+ / Smart H.264+				
Video Frame Rate	Main stream: 2688 × 1520 (1 fps-20 fps) 2560 × 1440 (1 fps-25/30 fps) Sub stream: 704 × 576 (1 fps-25 fps) 704 × 480 (1 fps-30 fps)				
Stream Capability	2 streams				
Resolution	2688 × 1520 (2688 × 1520); 2560 × 1440 (2560 × 1440); 2304 × 1296 (2304 × 1296); 1080p (1920 × 1080); 1.3M (1280 × 960); 720p (1280 × 720); D1 (704 × 576/704 × 480); VGA (640 × 480); CIF (352 × 288/352 × 240)				
Bit Rate Control	CBR/VBR				
Video Bit Rate	H.264: 32 kbps–6144 kbps H.265: 12 kbps–6144 kbps				
Day/Night	Auto(ICR)/Color/B/W				
BLC	Yes				
HLC	Yes				
WDR	120 dB				
White Balance	Auto/natural/street lamp/outdoor/manual/regional custom				
Gain Control	Auto/Manual				
Noise Reduction	3D NR				
Motion Detection	OFF/ON (4 areas, rectangular)				

Region of Interest(Rol)	Yes (4 areas)
Smart Illumination	Yes
Image Rotation	0°/90°/180°/270° (Supports 90°/270° with 2688 × 1520 resolution and lower.)
Mirror	Yes
Privacy Masking	4 areas
Audio	
Audio Compression	G.711a; G.711Mu; G.726
Alarm	
Alarm Event	No SD card; SD card full; SD card error; network disconnection; IP conflict; motion detection; video tampering; tripwire; intrusion; illegal access; voltage detection; audio detection; safety exception; local alarm
Network	
Network	RJ-45 (10/100 Base-T)
SDK and API	Yes
Cyber Security	Video encryption; firmware encryption; configuration encryption; Digest; WSSE; account lockout; security logs; IP/MAC filtering; generation and importing of X.509 certification; syslog; HTTPS; 802.1x; trusted boot; trusted execution; trusted upgrade
Protocol	IPv4; IPv6; HTTP; TCP; UDP; ARP; RTP; RTSP; RTCP; RTMP; SMTP; FTP; SFTP; DHCP; DNS; DDNS; QoS; UPnP; NTP; Multicast; ICMP; IGMP; NFS; PPPoE; Bonjour
Interoperability	ONVIF (Profile S/Profile G/Profile T); CGI; P2P; Milestone; Genetec
User/Host	20
Storage	FTP; Micro SD card (support max. 256 G); NAS; SFTP
Browser	IE Chrome Firefox
Management Software	Smart PSS; DSS; DMSS
Mobile Phone	iOS; Android
Port	
Audio Input	1 channel (RCA port)
Audio Output	1 channel (RCA port)
Alarm Input	1 channel In: 5mA 5VDC
Alarm Output	1 channel Out: 300mA 12VDC
Certification	
Certification	CE-LVD: EN62368-1 CE-EMC: Electromagnetic Compatibility Directive 2014/30/EU FCC: 47 CFR FCC Part 15, Subpart B UL/CUL: UL60950-1 CAN/CSA C22.2 No.60950-1-07
Power	
Power Supply	12V DC/PoE (802.3af)
Power Consumption	< 9.6W
Environment	
Operating Conditions	-30°C to +60°C (-22°F to +140°F)/less than ≤ 95% RH
Storage Temperature	-40°C to +60°C (-40°F to +140°F)
Protection	IP67; IK10
Structure	
Casing	Metal
Dimensions	244.1 mm × Ø90.4 mm (9.61" × Ø3.26")
Net Weight	0.9 kg (1.98 lb)
Gross Weight	1.15 kg (2.54 lb)

Accessories

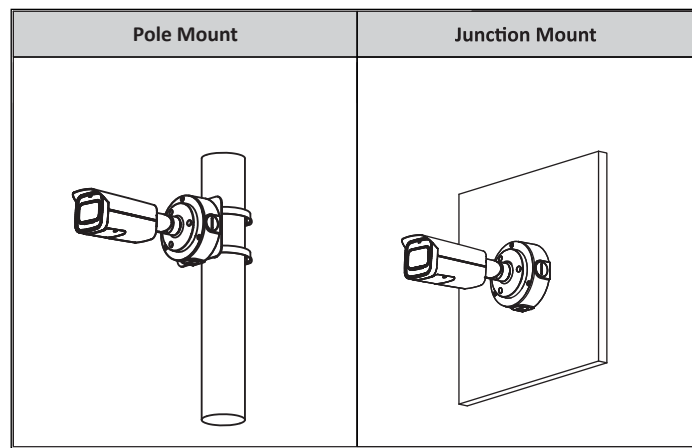
Optional



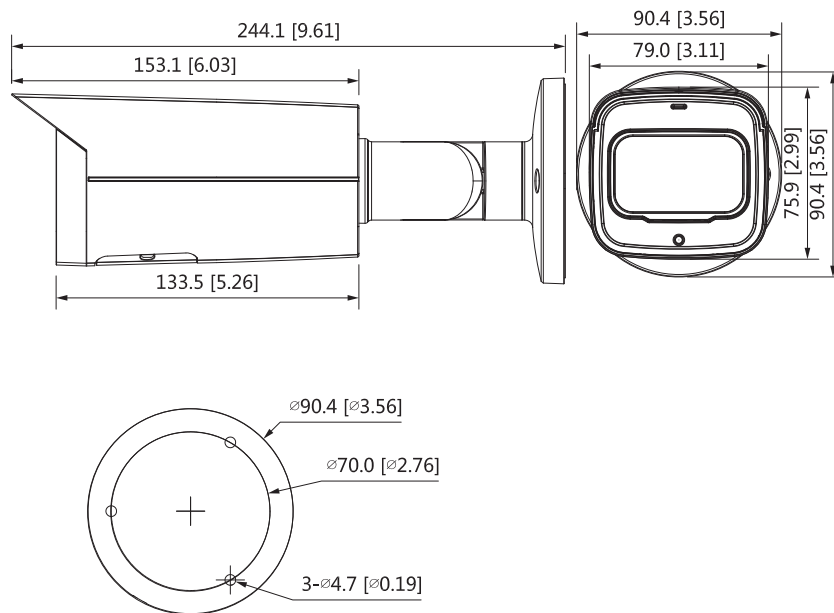
Junction Box



Pole Mount



Dimensions (mm/inch)



Mailing Address

VOSTOK Trading L.L.C,
 304, 3rd Floor, Al Tawhidi Building,
 Khaleed Bin Waleed Road,
 P.O. Box: 27106 - Dubai,
 UNITED ARAB EMIRATES.

Contact Details

Tel: (+971 4) 3558816
 Fax: (+971 4) 3558817
 Email : sales1@snappy.ae /
 sales2@snappy.ae /
 sales3@snappy.ae