

# 3 Mega Pixel IP Dome Camera

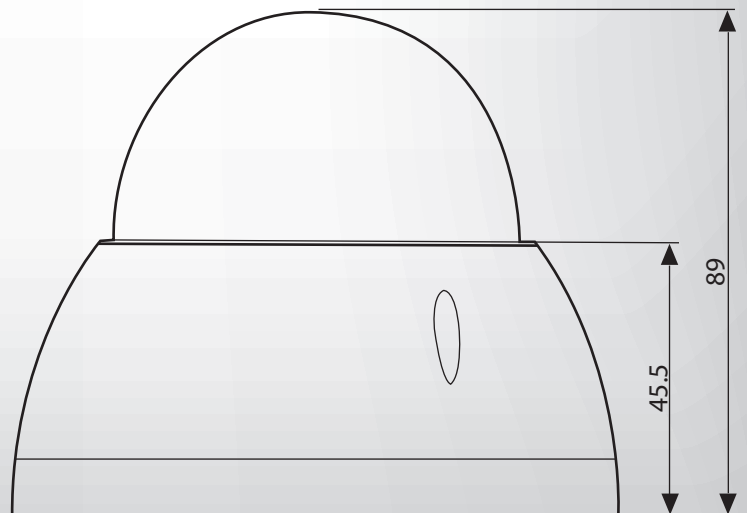
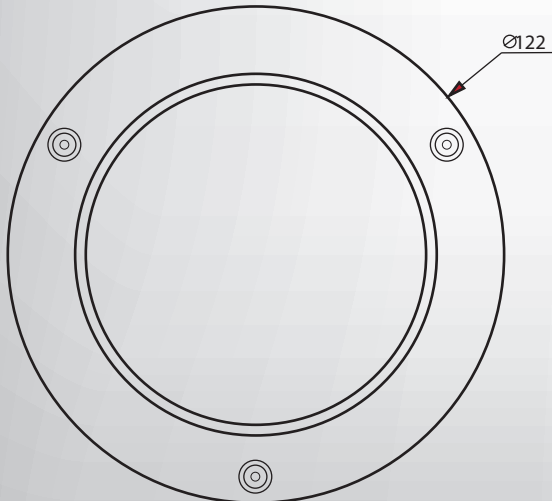


## Features

- 1/3" 3Megapixel progressive CMOS
- H.264 & MJPEG dual-stream encoding
- Max 20fps@3M(2048x1536) & 25/30fps@1080P(1920 x1080)
- DWDR, Day/Night(ICR), 3DNR, AWB, AGC, BLC
- Multiple network monitoring: Web viewer, Snappy Universal CMS
- 2.7~12mm motorized varifocal lens
- Max IR LEDs Length 30m
- IP66, IK10, PoE

## IP-D3MVFC

## Dimensions (mm)



## Technical Specifications

<b>Model</b>	IP-D3MVFC	
<b>Camera</b>		
Image Sensor	1/3" 3Megapixel progressive scan CMOS	
Effective Pixels	2048(H)x1536(V)	
Scanning System	Progressive	
Electronic Shutter Speed	Auto/Manual, 1/3(4)~1/10000s	
Min. Illumination	0.01Lux/F1.4(Color); 0Lux/F1.4(IR on)	
S/N Ratio	More than 50dB	
Video Output	N/A	
<b>Camera Features</b>		
Max. IR LEDs Length	30m	
Day/Night	Auto(ICR)/Color/B/W	
Backlight Compensation	BLC / HLC / DWDR	
White Balance	Auto/Manual	
Gain Control	Auto/Manual	
Noise Reduction	3D	
Privacy Masking	Up to 4 areas	
<b>Lens</b>		
Focal Length	2.7mm~12mm	
Max Aperture	F1.4	
Focus Control	Manual	
Angle of View	H: 92°    ~28°	
Lens Type	Manual/Fixed Iris	
Mount Type	Board-in Type	
<b>Video</b>		
Compression	H.264/ H.264H/ MJPEG	
Resolution	3M(2048x1536)/1080P(1920x1080)/1.3M(1280x 960)/720P(1280x 720)/D1(704x 576/704x 480)/CIF(352x 288/352x 240)	
Frame Rate	Main Stream	3M(1 ~ 20fps)/1080P (1 ~ 25/30fps)
	Sub Stream	D1/CIF(1 ~ 25/30fps)
Bit Rate	H.264H: 40K ~ 8192Kbps; MJPEG: 40K~16384Kbps	
<b>Audio</b>		
Compression	N/A	
Interface	N/A	
<b>Network</b>		
Ethernet	RJ-45 (10/100Base-T)	
Wi-Fi	N/A	
Protocol	IPv4/IPv6, HTTP, HTTPS, SSL, TCP/IP, UDP, UPnP, ICMP, IGMP, SNMP, RTSP, RTP, SMTP, NTP, DHCP, DNS, PPPOE, DDNS, FTP, IP Filter, QoS, Bonjour	
ONVIF	ONVIF,PSIA,CGI	
Max. User Access	20users	
Smart Phone	iPhone, iPad, Android, Windows Phone	
<b>Auxiliary Interface</b>		
Memory Slot	N/A	
RS485	N/A	
Alarm	N/A	
PIR Sensor Range	N/A	
<b>General</b>		
Power Supply	DC12V, PoE (802.3af)	
Power Consumption	<4.5W	
Working Environment	-30°C~+60°C, Less than 95% RH	
Ingress Protection	IP66	
Vandal Resistance	IK10	
Dimensions	φ122mm× 89mm	
Weight	0.5kg	

### Mailing Address

**VOSTOK Trading L.L.C.**  
304, 3rd Floor, Al Tawhidi Building,  
Khaleed Bin Waleed Road,  
P.O. Box: 27106 - Dubai,  
UNITED ARAB EMIRATES.

### Contact Details

Tel: (+971 4) 3558816  
Fax: (+971 4) 3558817  
Email : sales1@snappy.ae /  
sales2@snappy.ae /  
sales3@snappy.ae