

# 3 MegaPixel IP Mini Dome Camera

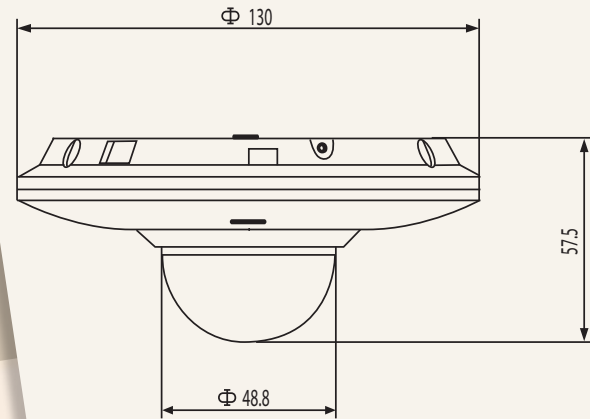


Model: IP-D3FC

## Features

- ▶ 1/3" 3Megapixel progressive scan CMOS
- ▶ H.264 & MJPEG dual-stream encoding
- ▶ Max 20fps@3M(2048×1536), 25/30fps@1080P
- ▶ Day/Night(Electronic), 3DNR, AWB,AGC,BLC
- ▶ Multiple network monitoring: Web viewer, Snappy Universal CMS
- ▶ Max 100°/s preset speed, ±180° Pan range, 90°Tilt range
- ▶ 3.6mm fixed lens
- ▶ Micro SD memory, IP66, IK10

## Dimensions (mm)



## Accessory (optional)



# Technical Specification

<b>Model :</b>	<b>IP-D3FC</b>
<b>Camera</b>	
Image Sensor	1/3" 3Megapixel progressive scan CMOS
Effective Pixels	2048(H)x1536(V)
Scanning System	Progressive
Electronic Shutter Speed	Auto/Manual, 1/3(4)~1/10000s
Min. Illumination	0.01Lux/F1.2(Color)
S/N Ratio	More than 50dB
Video Output	N/A
<b>Camera Features</b>	
Max. IR LEDs Length	N/A
Day/Night	Auto(Electronic)/Color/B/W
Backlight Compensation	Off / BLC / HLC / DWDR
White Balance	Auto/Manual
Gain Control	Auto/Manual
Noise Reduction	3D
Privacy Masking	Up to 4 areas
Digital Zoom	3x
<b>Lens</b>	
Focal Length	3.6mm
Max Aperture	F1.2
Focus Control	Manual
Angle of View	H: 72.5°
Lens Type	Fixed Lens
Mount Type	Board-in Type
<b>PT</b>	
Pan/ Tilt Range	Pan: 0°~± 180°; Tilt: 0°~90°
Preset Speed	100°/s
Preset	25
<b>Video</b>	
Compression	H.264/ MJPEG
Resolution	3M(2048×1536)/1080P(1920×1080)/720P(1280×720)/D1(704×576/704×480)/CIF(352×288/352×240)
Frame Rate	Main Stream 3M(1~20fps)/1080P/720P(1 ~ 25/30fps) Sub Stream D1/CIF(1 ~ 25/30fps)
Bit Rate	H.264: 40K ~ 8192Kbps
<b>Audio</b>	
Compression	G.711a/G.711u/PCM
Interface	Built-in Mic
<b>Network</b>	
Ethernet	RJ-45 (10/100Base-T)
Wi-Fi	N/A
Protocol	IPv4/IPv6, HTTP, HTTPS, SSL, TCP/IP, UDP, UPnP, ICMP, IGMP, SNMP, RTSP, RTP, SMTP, NTP, DHCP, DNS, PPPOE, DDNS, FTP, IP Filter, QoS, Bonjour
Compatibility	ONVIF, PSIA, CGI
Max. User Access	20 users
Smart Phone	iPhone, iPad, Android, WindowsPhone
<b>Auxiliary Interface</b>	
Memory Slot	Micro SD, Max 64GB
RS485	N/A
Alarm	N/A
PIR Sensor Range	N/A
<b>General</b>	
Power Supply	DC12V/PoE(802.3af)
Power Consumption	<4.5W
Working Environment	-30°C~+60°C, Less than 95% RH
Ingress Protection	IP66
Vandal Resistance	IK10
Dimensions	Φ130mm×57.5mm
Weight	0.25kg

## Mailing Address

**VOSTOK Trading L.L.C.**  
304, 3rd Floor, Al Tawhidi Building,  
Khaleed Bin Waleed Road,  
P.O. Box: 27106 - Dubai,  
UNITED ARAB EMIRATES.

[www.snappy.ae](http://www.snappy.ae)

## Contact Details

Tel: (+971 4) 3558816  
Fax: (+971 4) 3558817  
Email : sales1@snappy.ae /  
sales2@snappy.ae /  
sales3@snappy.ae