

## 2MP Full HD Network Water-proof IR Bullet Camera

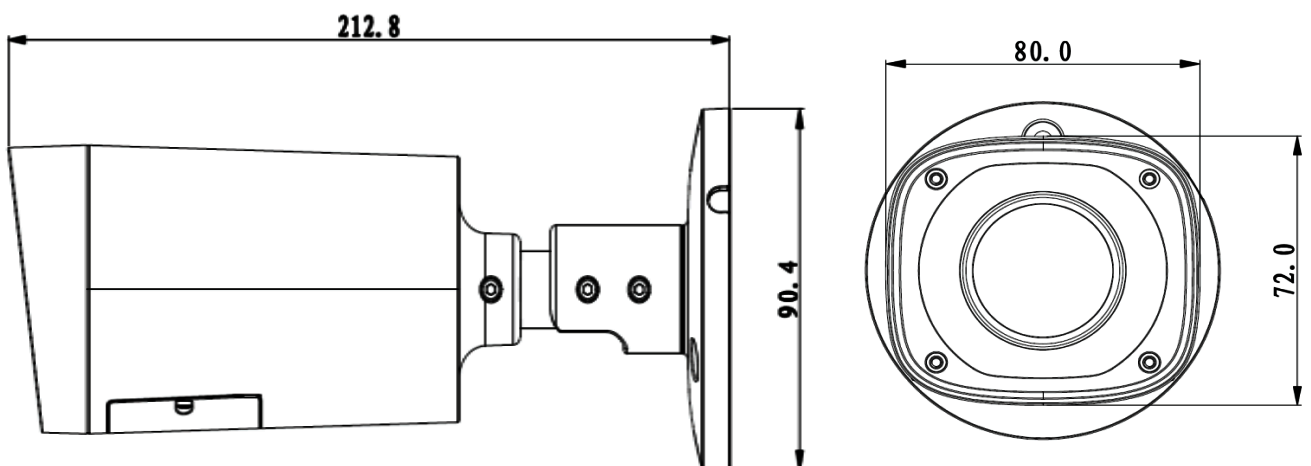
### Features

- 1/2.8" 2Megapixel progressive CMOS
- H.264 & MJPEG dual-stream encoding
- 25/30fps@1080P(1920x1080)
- DWDR, Day/Night(ICR), 3DNR, AWB, AGC, BLC
- Multiple network monitoring:  
Web viewer, Snappy Universal CMS
- 2.7~12mm varifocal lens
- Max IR LEDs Length 30m
- IP66, PoE



IP-B2VFC

Dimensions (mm)



## Technical Specifications

Model	IP-B2VFC	
<b>Camera</b>		
Image Sensor	1/2.8" 2Megapixel progressive scan CMOS	
Effective Pixels	1920(H)x1080 (V)	
Scanning System	Progressive	
Electronic Shutter Speed	Auto/Manual, 1/ 3(4)~1/1 0000s	
Min. Illumination	0. 01Lux/F1.4 (Color), 0Lux/F1. 4(IR on)	
S/N Ratio	More than 50dB	
Video Output	N/A	
<b>Camera Features</b>		
Max. IR LEDs Length	30m	
Day/Night	Auto(ICR)/Color/B/W	
Backlight Compensation	BLC / HLC / DWDR	
White Balance	Auto/Manual	
Gain Control	Auto/Manual	
Noise Reduction	3D	
Privacy Masking	Up to 4 areas	
<b>Lens</b>		
Focal Length	2.7mm~12mm	
Max Aperture	F1.4	
Focus Control	Manual	
Angle of View	H: 98° ~ 30°	
Lens Type	Manual/ Fixed Iris	
Mount Type	Board -in Type	
<b>Video</b>		
Compression	H.264/ H.264H/ MJPEG	
Resolution	1080P(1920x1080)/ 1.3M(1280x960) /720P(1280x720 )/D1(704x576 /704x 480)/CIF(352x288 /352x2 40)	
Frame Rate	Main Stream	1080P/960P/ 720P (1 ~ 25/30fps)
	Sub Stream	D1/CIF(1 ~ 25/30fps)
Bit Rate	H.264 H: 40K ~ 8192Kbps; MJPEG: 40K~16384Kbps	
<b>Audio</b>		
Compression	N/A	
Interface	N/A	
<b>Network</b>		
Ethernet	RJ-45 (10/100Base -T)	
Wi-Fi	N/A	
Protocol	IPv4/IPv6, HTTP, HTTPS, SSL, TCP/IP, UDP, UPnP, ICMP, IGMP, SNMP, RTSP, RTP, SMTP, NTP, DHCP, DNS, PPPOE, DDNS, FTP, IP Filter, QoS, Bonjour	
Compatibility	ONVIF , CGI, PSIA	
Max. User Access	20 users	

Smart Phone	iPhone, iPad, Android, Windows Phone	
<b>Auxiliary Interface</b>		
Memory Slot	N/A	
RS485	N/A	
Alarm	N/A	
PIR Sensor Range	N/A	
<b>General</b>		
Power Supply	DC12V /PoE (802.3af)	
Power Consumption	< 4.5W	< 8.5W
Working Environment	-30°C~+60°C, Less than 95% RH	
Ingress Protection	IP66	
Vandal Resistance	N/A	
Dimensions	72mm×80mm×212.8mm	
Weight	0.65 kg	

### Accessory (optional)



#### Mailing Address

**VOSTOK Trading L.L.C,**  
304, 3rd Floor, Al Tawhidi Building,  
Khaleed Bin Waleed Road,  
P.O. Box: 27106 - Dubai,  
UNITED ARAB EMIRATES.

#### Contact Details

Tel: (+971 4) 3558816  
Fax: (+971 4) 3558817  
Email : sales1@snappy.ae /  
sales2@snappy.ae /  
sales3@snappy.ae