

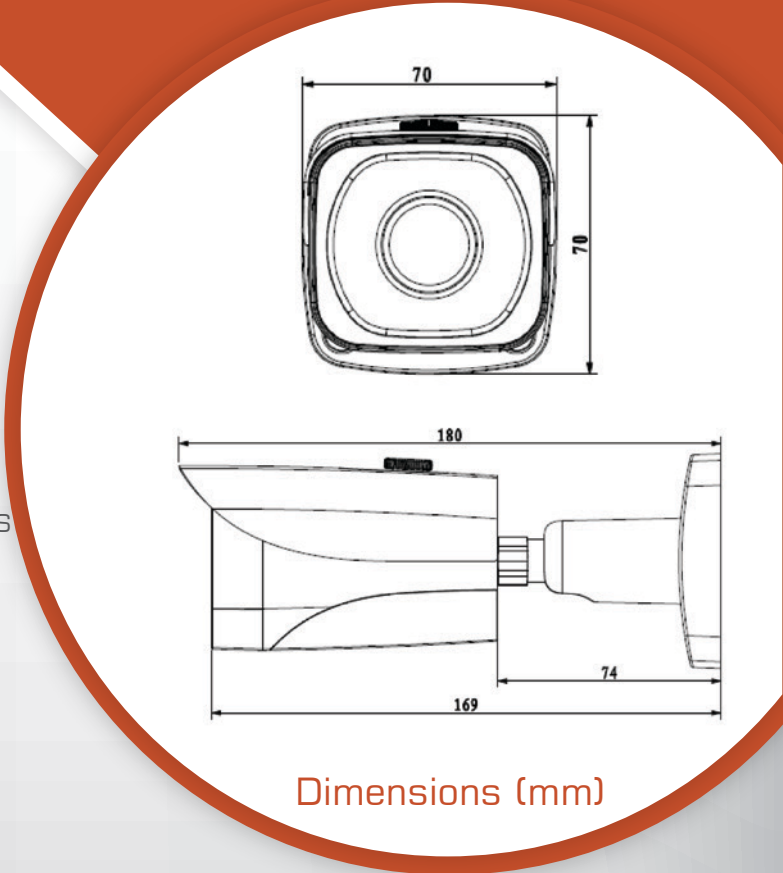
4MP HD WDR Network Small IR Bullet Camera



IP-B24FC

Features

- 1/3" 4Megapixel progressive scan CMOS
- H.264 & MJPEG triple-stream encoding
- Smart Detection supported
- Max 20fps@4M(2560×1440) & 25/30fps@3M(2304×1296)
- WDR, Day/Night(ICR), 3DNR, AWB, AGC, BLC
- Multiple network monitoring: Web viewer, Snappy Universal CMS
- 3.6mm fixed lens (6mm optional)
- Max. IR LEDs Length 40m
- IP67, PoE



Dimensions (mm)

Accessory (optional)



Technical Specifications

Model	IP-B24FC
Camera	
Image Sensor	1/3" 4Megapixel progressive scan CMOS
Effective Pixels	2688(H)x1520(V)
Scanning System	Progressive
Electronic Shutter Speed	Auto/Manual, 1/3(4)~1/100000s
Min. Illumination	0.01Lux/F1.4(Color); 0Lux/F1.4(IR on)
S/N Ratio	More than 50dB
Video Output	N/A
Camera Features	
Max. IR LEDs Length	40m
Day/Night	Auto(ICR) / Color / B/W
Backlight Compensation	BLC / HLC /WDR(120dB)
White Balance	Auto/Sunny/Night/Outdoor/Customized
Gain Control	Auto/Manual
Noise Reduction	3D
Privacy Masking	Up to 4 areas
Lens	
Focal Length	3.6mm (6mm optional)
Max Aperture	F2.1(F2.0)
Focus Control	Manual
Angle of View	H:84°(56°)
Lens Type	Fixed lens
Mount Type	Board-in Type
Video	
Compression	H.264/H.264H/H.264B/MJPEG
Resolution	4M(2688x1520)/4M(2560x1440)/3M(2304x1296)/1080P (1920x1080)/1.3M(1280x960)/720P(1280x720)/D1(704x576/704x480)/ CIF(352x288/352x240)
Frame Rate	Main Stream 4M(1~20fps)/3M(1~25/30fps) Sub Stream D1/CIF(1~25/30fps) Third Stream 720P(1-20fps)
Bit Rate	H.264: 32K ~ 10Mbps
Corridor mode	Support
Audio	
Compression	N/A
Interface	N/A
Smart Function	
Smart detection	Tripwire Intrusion Abandoned/Missing Scene Change Audio detect Face detect
Network	
Ethernet	RJ-45 (10/100Base-T)
Wi-Fi	N/A
Protocol	IPv4/IPv6, HTTP, HTTPS, SSL, TCP/IP, UDP, UPnP, ICMP, IGMP, SNMP, RTSP, RTP, SMTP, NTP, DHCP, DNS, PPPOE, DDNS, FTP, IP Filter, QoS, Bonjour, 802.1x
ONVIF	ONVIF,PSIA,CGI
Max. User Access	20users
Smart Phone	iPhone, iPad, Android, Windows Phone
Auxiliary Interface	
Memory Slot	N/A
RS485	N/A
Alarm	N/A
PIR Sensor Range	N/A
General	
Power Supply	DC12V, PoE (802.3af)
Power Consumption	< 6W
Working Environment	-30°C~+60°C, Less than 95% RH
Ingress Protection	IP67
Vandal Resistance	N/A
Dimensions	70mmx70mmx180mm
Weight	0.4kg(0.528kg with packaging)

Mailing Address

Snappy
Orlyplein 85
1043 DS Amsterdam
The Netherlands

Contact Details

Tel : +31 (0) 204037397
Fax : +31 (0) 204037310
Email : sales1@snappyeurope.com
sales2@snappyeurope.com
Website : www.snappyeurope.com