

4 MegaPixel WDR IP Dome Camera

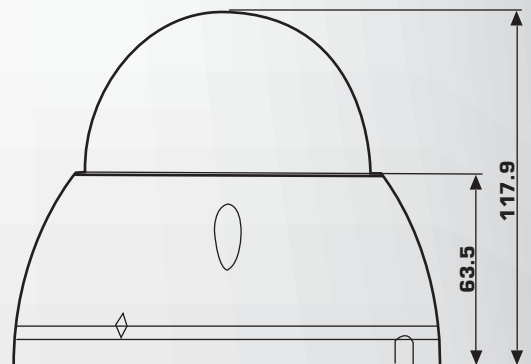
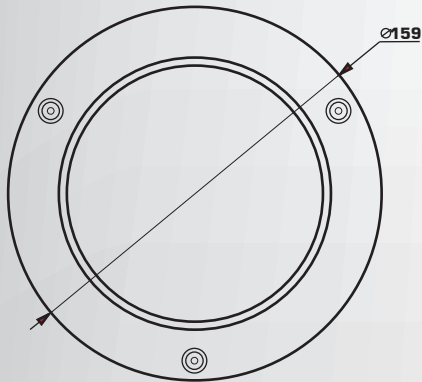


Features

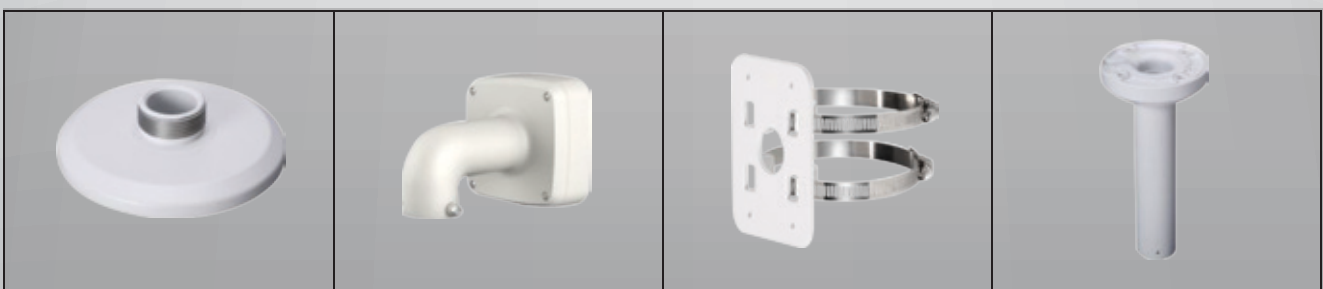
- 1/3" 4Megapixel progressive scan CMOS
- H.264&MJPEG triple-stream encoding
- Max 20fps@4Mp(2560x1440), 25/30fps@3M(2304x1296)
- WDR(120dB), Day/Night(ICR), 3DNR, AWB, AGC, BLC
- Multiple network monitoring: Web viewer, Snappy Universal CMS
- 2.7mm ~12mm motorized lens
- Max. IR LEDs Length 50m
- IP67,IK10, PoE
- Micro SD card memory

IP-D4MVFC

Dimensions (mm)



Accessory (optional)



Technical Specifications

Model	IP-D4MVFC
Camera	
Image Sensor	1/3" 4Megapixel progressive scan CMOS
Effective Pixels	2688(H)x1520(V)
Scanning System	Progressive
Electronic Shutter Speed	Auto/Manual, 1/3(4)~1/100000s
Min. Illumination	0.01Lux/F1.4(Color); 0Lux/F1.4(IR on)
S/N Ratio	More than 50dB
Video Output	1 port
Camera Features	
Max. IR LEDs Length	50m
Day/Night	Auto(ICR) / Color / B/W
Backlight Compensation	BLC / HLC /WDR(120dB)
White Balance	Auto/Sunny/Night/Outdoor/Customized
Gain Control	Auto/Manual
Noise Reduction	3D
Privacy Masking	Up to 4 areas
Lens	
Focal Length	2.7mm~12mm
Max Aperture	F1.4
Focus Control	Motorized
Angle of View	H: 100°~33°
Lens Type	Motorized/ Auto Iris(DC)
Mount Type	Board-in Type
Video	
Compression	H.264/H.264H/H.264B/MJPEG
Resolution	4M(2688x1520)/4M(2560x1440)/3M(2304x1296)/1080P (1920x1080)/1.3M(1280x960)/720P(1280x720)/D1(704x576/704x480)/ CIF(352x288/352x240)
Frame Rate	Main Stream Sub Stream Third Stream
Bit Rate	4M(1~20fps)/3M(1~30fps) Full HD 1080P (1 ~ 25FPS) 720P(1-20fps) Selectable D1/CIF(1 ~ 25/30fps)
Corridor mode	H.264: 32K ~ 10Mbps
	Support
Audio	
Compression	G.711a/ G.711u/ AAC
Interface	1/1 channel In/Out
Smart Function	
Smart detection	Tripwire Intrusion Abandoned/Missing Scene Change Audio detect Face detect
Network	
Ethernet	RJ-45 (10/100Base-T)
Wi-Fi	N/A
Protocol	IPv4/IPv6, HTTP, HTTPS, SSL, TCP/IP, UDP, UPnP, ICMP, IGMP, SNMP, RTSP, RTP, SMTP, NTP, DHCP, DNS, PPPOE, DDNS, FTP, IP Filter, QoS, Bonjour, 802.1x
ONVIF	ONVIF,PSIA,CGI
Max. User Access	20users
Smart Phone	iPhone, iPad, Android, Windows Phone
Auxiliary Interface	
Memory Slot	Micro SD, Max 128GB
RS485	N/A
Alarm	1/1 channel In/Out
PIR Sensor Range	N/A
General	
Power Supply	DC12V(AC24V optional), PoE (802.3af)
Power Consumption	Max 10W (with IR on, motorized lens working)
Working Environment	-30°C~+60°C, Less than 95% RH
Ingress Protection	IP67
Vandal Resistance	IK10
Dimensions	Φ 159mm× 117.9mm
Weight	0.8kg

Mailing Address

Snappy
Orlyplein 85
1043 DS Amsterdam
The Netherlands

Contact Details

Tel : +31 (0) 204037397
Fax : +31 (0) 204037310
Email : sales1@snappyeurope.com
sales2@snappyeurope.com
Website : www.snappyeurope.com