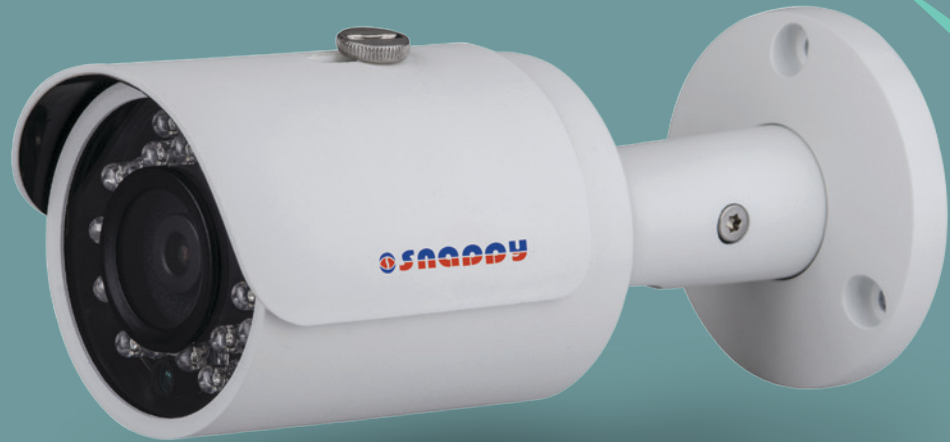


2MP Full HD WDR Network Small IR Bullet Camera

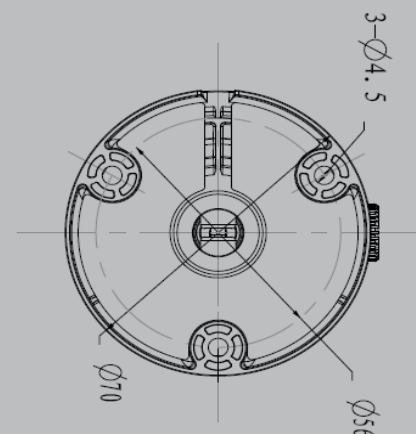
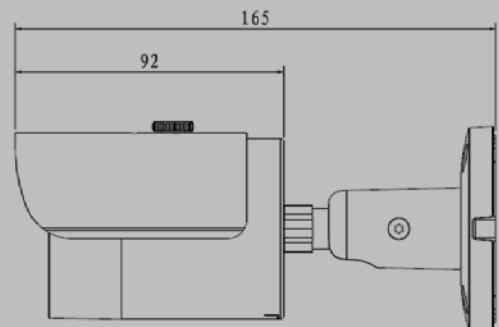


IP-B2FC

Features

- 1/2.7" 2Megapixel progressive scan CMOS
- Support H.264&MJPEG dual codec
- 25/30fps@1080P(1920× 1080)
- Smart Detection supported
- WDR(120dB), Day/Night(ICR), 3DNR,AWB,AGC,BLC
- Multiple network monitoring:
Web viewer, Snappy Universal CMS
- 3.6mm fixed lens (6mm optional)
- Max. IR LEDs Length 30m
- IP67, PoE

Dimensions (mm)



Technical Specifications

Model	IP-B2FC	
Camera		
Image Sensor	1/2.7" 2Megapixel progressive scan CMOS	
Effective Pixels	1920(H)x1080(V)	
Scanning System	Progressive	
Electronic Shutter Speed	Auto/Manual, 1/ 3(4)~1/100 000s	
Min. Illumination	0. 1Lux/F 2.0 (Color), 0Lux/F 2.0(IR on)	
S/N Ratio	More than 50dB	
Video Output	N/A	
Camera Features		
Max. IR LEDs Length	30m	
Day/Night	Auto(ICR)/Color/B/W	
Backlight Compensation	BLC / HLC / WDR (120 dB)	
White Balance	Auto/Manual	
Gain Control	Auto/Manual	
Noise Reduction	3D	
Privacy Masking	Up to 4 areas	
Lens		
Focal Length	3.6mm (6mm optional)	
Max Aperture	F2.0(F2.0)	
Focus Control	Manual	
Angle of View	H:93°(63°)	
Lens Type	Fixed lens	
Mount Type	Board -in Type	
Video		
Compression	H.264/H.264B/H.264H/ MJPEG	
Resolution	1080P(1920×1080)/720P(1280×720)/ D1(704×576 /704×480) / CIF(352×288 /352×240)	
Frame Rate	Main Stream	1080P/ 720P(1 ~ 25/30fps)
	Sub Stream	D1/CIF(1 ~ 25/30fps)
	Third Stream	720P(1 ~ 1 3/4fps)
Bit Rate	H.264: 32K ~ 10Mbps	
Corridor Mode	Support	
Audio		
Compression	N/A	
Interface	N/A	
Smart Function		
Smart detection	Tripwire	
	Intrusion	
	Abandoned/Missing	
	Scene Change	
	Audio detect	

	Face detect
Network	
Ethernet	RJ-45 (10/100Base -T)
Wi-Fi	N/A
Protocol	IPv4/IPv6, HTTP, HTTPS, SSL, TCP/IP, UDP, UPnP, ICMP, IGMP, SNMP, RTSP, RTP, SMTP, NTP, DHCP, DNS, PPPOE, DDNS, FTP, IP Filter, QoS, Bonjour, 802.1x
Compatibility	ONVIF ,PSIA,CGI
Max. User Access	20 users
Smart Phone	iPhone, iPad, Android, Windows Phone
Auxiliary Interface	
Memory Slot	N/A
RS485	N/A
Alarm	N/A
PIR Sensor Range	N/A
General	
Power Supply	DC12V, PoE (802.3af)
Power Consumption	< 5.5W
Working Environment	-30°C~+60°C, Less than 95% RH
Ingress Protection	IP67
Vandal Resistance	N/A
Dimensions	Φ 70mm×165mm
Weight	0.42kg

Accessory (Optional)



Mailing Address

Snappy
Orlyplein 85
1043 DS Amsterdam
The Netherlands

Contact Details

Tel : +31 (0) 204037397
Fax : +31 (0) 204037310
Email : sales1@snappyeurope.com
sales2@snappyeurope.com
Website : www.snappyeurope.com