

# 2MP Full HD WDR Network Camera

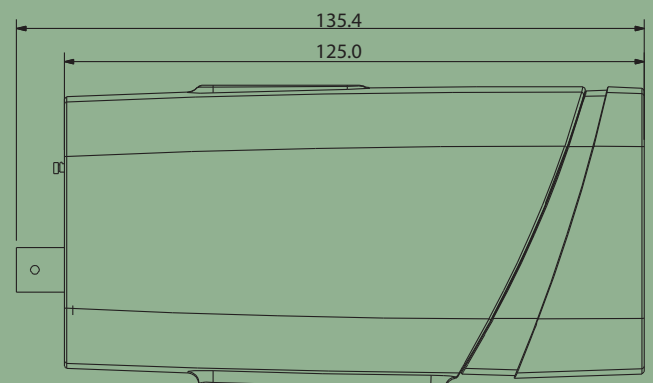
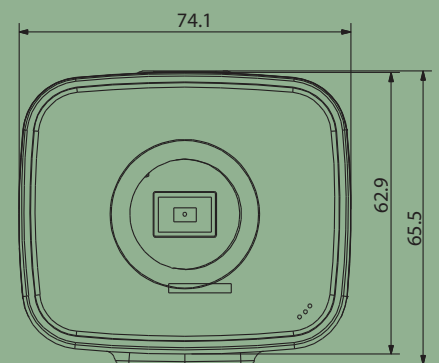


## Features

- 1/2.7" 2Megapixel progressive scan CMOS
- Support H.264&MJPEG dual codec
- 25/30fps@1080P(1920× 1080)
- Smart Detection supported
- WDR(120dB), Day/Night(ICR), 3DNR,AWB,AGC,BLC
- Multiple network monitoring:  
Web viewer, Snappy Universal CMS
- 2/1 Alarm in/out, 1/1 audio in/out(Built-in Mic)
- Auto back focus(ABF)
- Micro SD memory, PoE

## IP-BX2C

Dimensions (mm)



## Technical Specifications

Model	<b>IP-BX2C</b>	
Camera		
Image Sensor	1/2.7" 2Megapixel progressive scan CMOS	
Effective Pixels	1920(H)x1080(V)	
Scanning System	Progressive	
Electronic Shutter Speed	Auto/Manual, 1/3 (4)~1/100 000s	
Min. Illumination	0.01Lux/F1.2(Color), 0.001Lux/F1.2 (B/W)	
S/N Ratio	More than 50dB	
Video Output	1 channel BNC (1.0Vp-p, 75Ω)	
Camera Features		
Max. IR LEDs Length	N/A	
Day/Night	Auto(ICR)/Color/B/W	
Backlight Compensation	BLC / HLC / WDR (120dB)	
White Balance	Auto/Sunny/Night/Outdoor/Customized	
Gain Control	Auto/Manual	
Noise Reduction	3D	
Privacy Masking	Up to 4 areas	
Ultra Defog	Support	
Smart focus	ABF	
Lens		
Mount Type	C/CS	
Video		
Compression	H.264/H.264B/H.264H/ MJPEG	
Resolution	1080P (1920×1080)/720P(1280×720)/D1(704×576 )/CIF(352×288)	
Frame Rate	Main Stream	1080P/ 720P(1 ~ 25/30fps)
	Sub Stream	D1/CIF(1 ~ 25/30fps)
	Third Stream	720P(1-13/4fps)
Bit Rate	H.264: 32Kbps ~ 10M bps	
ROI	Up to 4 areas	
Audio		
Compression	G.711a / G.711u /AAC	
Interface	1/1 channel In/Out (Built-in Mic)	
Smart Function		
Smart detection	Tripwire	
	Intrusion	
	Abandoned/Missing	
	Scene Change	
	Audio detect	
	Face detect	
Network		

Ethernet	RJ-45 (10 /100Base-T)
Wi-Fi	N/A
Protocol	IPv4/IPv6, HTTP, HTTPS, SSL, TCP/IP, UDP, UPnP, ICMP, IGMP, SNMP, RTSP, RTP, SMTP, NTP, DHCP, DNS, PPPOE, DDNS, FTP, IP Filter, QoS, Bonjour, 802.1x
Compatibility	ONVIF ,PSIA,CGI
Max. User Access	20 users
Smart P hone	iPhone, iPad, Android, Windows Phone
<b>Auxiliary Interface</b>	
Memory Slot	Micro SD, Max128GB
RS485	1
Alarm	2/1 channel In/Out
<b>General</b>	
Power Supply	DC12V/AC24V, PoE (802.3af)
Power Consumption	Max 10W (ABF&ICR on)
Working Environment	-30°C~+60°C, Less than 95% RH
Ingress Protection	N/A
Dimensions	74.1mm×65.5mm× 135.4 mm
Weight	0.3Kg

## Accessory ( Optional )



### Mailing Address

Snappy  
Orlyplein 85  
1043 DS Amsterdam  
The Netherlands

### Contact Details

Tel : +31 (0) 204037397  
Fax : +31 (0) 204037310  
Email : sales1@snappyeurope.com  
sales2@snappyeurope.com  
Website : www.snappyeurope.com