

2MP Full HD Network IR Bullet Camera

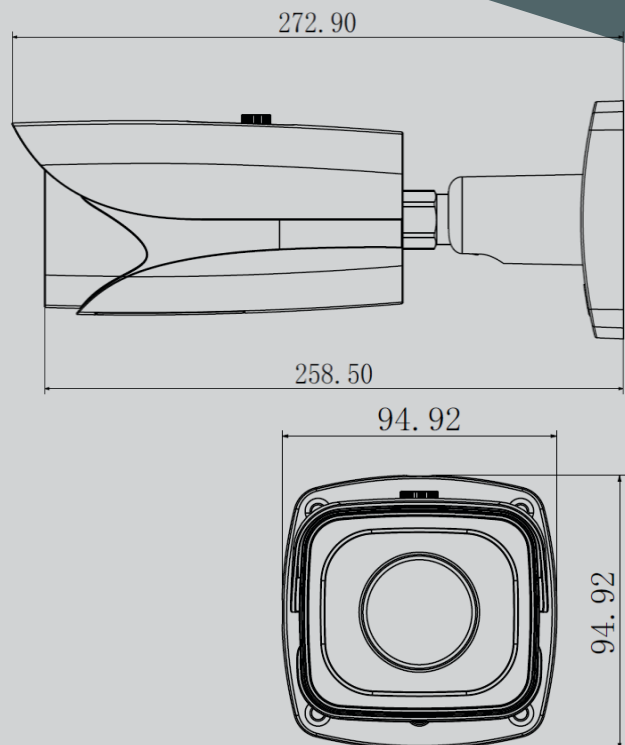


IP-B1P2MVFC

Features

- 1/2.8" 2Megapixel progressive scan CMOS
- Support H.264&MJPEG dual codec
- 25/30fps@1080(1920× 1080)
- Smart Detection supported
- DWDR, Day/Night(ICR), 3DNR, AWB, AGC, BLC
- Multiple network monitoring:
 - Web viewer, Snappy Universal CMSS
- 2.7mm ~12mm motorized lens
- 2/1 Alarm in/out, 1/1 audio in/out
- Max. IR LEDs Length 50m
- Micro SD memory, IP67, PoE

Dimensions (mm)

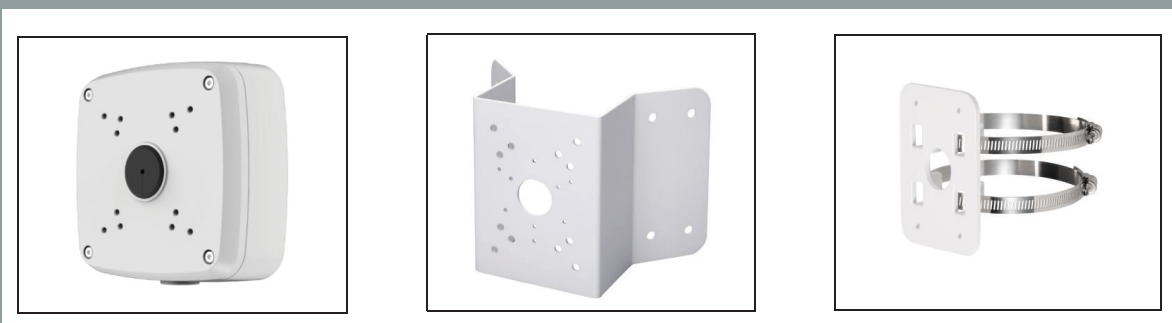


Technical Specifications

Model	IP-B1P2MVFC	
Camera		
Image Sensor	1/2.8" 2Megapixel progressive scan CMOS	
Effective Pixels	1920(H) x 1080(V)	
Scanning System	Progressive	
Electronic Shutter Speed	Auto/Manual, 1/3(4)~1/100 000s	
Min. Illumination	0.01Lux/F1.4(Color), 0Lux/F1.4(IR on)	
S/N Ratio	More than 50dB	
Video Output	1 port	
Camera Features		
Max. IR LEDs Length	50m	
Day/Night	Auto(ICR) / Color / B/W	
Backlight Compensation	BLC / HLC / DWDR	
White Balance	Auto/Manual	
Gain Control	Auto/Manual	
Noise Reduction	3D	
Privacy Masking	Up to 4 areas	
Lens		
Focal Length	2.7mm~12mm	
Max Aperture	F1.4	
Focus Control	Motorized	
Angle of View	H: 99°~34°	
Lens Type	Motorized/Auto Iris(DC)	
Mount Type	Board-in Type	
Video		
Compression	H.264 / H.264H / H.264B / MJPEG	
Resolution	1080P(1920x1080) / 1.3M (1280x960) / 720P(1280x720) / D1(704x576 / 704x480) / CIF(352x288 / 352x240)	
Frame Rate	Main Stream	1080P / 720P (1 ~ 25/30fps)
	Sub Stream	D1 / CIF (1 ~ 25/30fps)
	Third Stream	720P (1~13/7fps)
Bit Rate	H.264: 32K ~ 10M bps	
Corridor Mode	Support	
Audio		
Compression	G.711a / G.711u / AAC	
Interface	1/1 channel In/Out	
Smart Function		
Smart detection	Tripwire	
	Intrusion	
	Abandoned/Missing	
	Scene Change	

	Audio detect
	Face detect
Network	
Ethernet	RJ-45 (10/100Base -T)
Wi-Fi	N/A
Protocol	IPv4/IPv6, HTTP, HTTPS, SSL, TCP/IP, UDP, UPnP, ICMP, IGMP, SNMP, RTSP, RTP, SMTP, NTP, DHCP, DNS, PPPOE, DDNS, FTP, IP Filter, QoS, Bonjour, 802.1x
ONVIF	ONVIF ,PSIA,CGI
Max. User Access	20users
Smart Phone	iPhone, iPad, Android, Windows Phone
Auxiliary Interface	
Memory Slot	Micro SD, Max 128GB
RS485	N/A
Alarm	2/1 channel In/Out
PIR Sensor Range	N/A
General	
Power Supply	DC12V, PoE (802.3af)
Power Consumption	< 11.5W (with IR on, motorized lens working)
Working Environment	-30°C~+60°C, Less than 95% RH
Ingress Protection	IP67
Vandal Resistance	N/A
Dimensions	272.9 mm × 94.9mm× 94.9mm
Weight	1.1KG

Accessory (Optional)



Mailing Address

Snappy
Orlyplein 85
1043 DS Amsterdam
The Netherlands

Contact Details

Tel : +31 (0) 204037397
Fax : +31 (0) 204037310
Email : sales1@snappyeurope.com
sales2@snappyeurope.com
Website : www.snappyeurope.com