

2 MP Full HD 12x Network IR-Bullet Camera

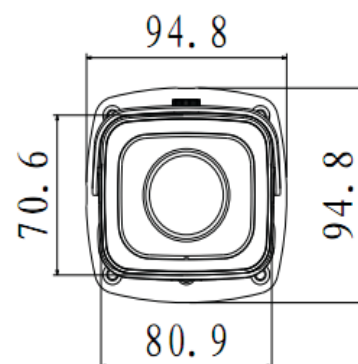
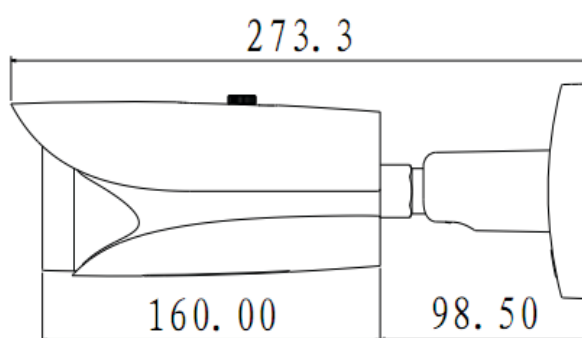
IP-B212ZLC



Features

- 1/2.8" 2 Megapixel progressive scan CMOS
- 5.1~61.2mm 12x optical zoom
- H.264&MJPEG dual-stream encoding
- Max 25/30fps@1080P(1920x1080)
- WDR, Day/Night(ICR), 3DNR, AWB, AGC, BLC
- Multiple network monitoring:
Web viewer, Snappy Universal CMS
- Built-in 1/1 alarm in/out
- Micro SD memory, IP66, PoE

Dimensions (mm)

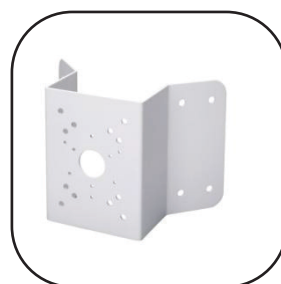


Technical Specifications

Model	IP-B212ZLC	
Camera		
Image Sensor	1/2.8" 2Megapixel Exmor CMOS	
Effective Pixels	1920(H)x1080(V)	
Scanning System	Progressive	
Electronic Shutter Speed	Auto/Manual, 1/3~1/10000s	
Min. Illumination	0.05Lux/F1.6(Color), 0Lux/F1.6(IR ON)	
S/N Ratio	More than 50dB	
Video Output	1 port	
Camera Features		
Max. IR LEDs Length	100m	
Day/Night	Auto(ICR) / Color / B/W	
Backlight Compensation	BLC / HLC / WDR	
White Balance	Auto/Manual	
Gain Control	Auto/Manual	
Noise Reduction	3D	
Privacy Masking	Up to 8 areas	
Lens		
Focal Length	5.1mm~61.2mm(12x optical zoom)	
Max Aperture	F1.6~F3.0	
Focus Control	Manual /Auto	
Angle of View	H: 51.3°~4.64°	
Lens Type	motorized / Auto Iris(DC)	
Mount Type	Board -in Type	
Close Focus Distance	100mm~1000mm	
Varifocal Speed	3.8S	
Video		
Compression	H.264 /M JPEG	
Resolution	1080P(1920×1080)/ 720P(1280×720) /D1(704×576) /CIF(352×288)	
Frame Rate	Main Stream	1080P (1~25/30fps)
	Sub Stream	D1/CIF(1~25/30fps)
Bit Rate	H.264: 32K ~ 8192K bps	
Audio		
Compression	G.711a / G.711u	
Interface	1/1 channel In/Out	
Network		
Ethernet	RJ-45 (10/100 /1000 Base-T)	
Wi-Fi	N/A	
Protocol	IPv4/IPv6, HTTP, HTTPS, SSL, TCP/IP, UDP, UPnP, ICMP, IGMP, SNMP, RTSP, RTP, SMTP, NTP, DHCP, DNS, PPPOE, DDNS, FTP, IP Filter, QoS, Bonjour	
Compatibility	ONVIF , PSIA, CGI	

Max. User Access	20 users
Smart Phone	iPhone, iPad, Android, Windows Phone
Auxiliary Interface	
Memory Slot	Micro SD, Max 64GB
Alarm	1/1 channel In/Out
General	
Power Supply	DC12V (AC24V optional) , PoE (802.3af)
Power Consumption	Max 15W
Working Environment	-30°C~+60°C, less than 95 % RH
Ingress Protection	IP66
Dimensions	273.3 mm × 94.8mm× 94.8mm
Weight	1.3kg

Accessory (Optional)



Mailing Address

Snappy
Orlyplein 85
1043 DS Amsterdam
The Netherlands

Contact Details

Tel : +31 (0) 204037397
Fax : +31 (0) 204037310
Email : sales1@snappyeurope.com
sales2@snappyeurope.com
Website : www.snappyeurope.com