

# 1.3MP HD Network Small IR Bullet Camera

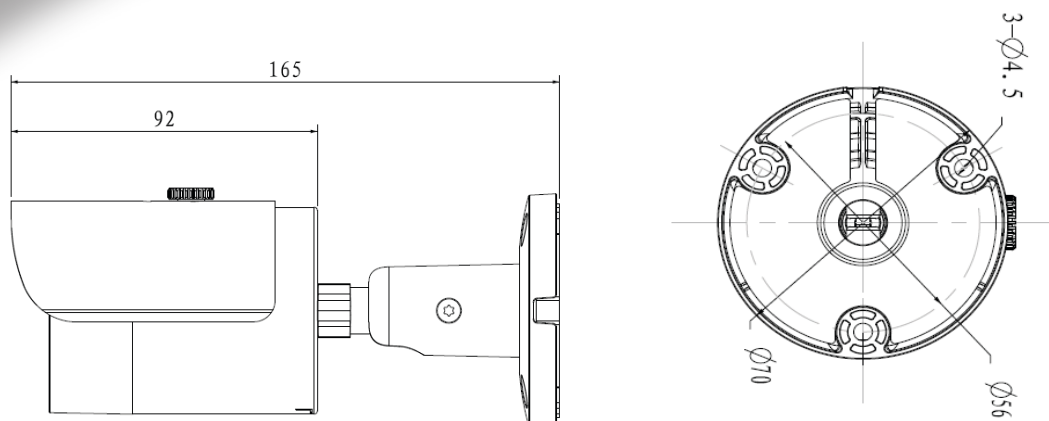


**IP-B1103FC**

## Features

- 1/3" 1.3Megapixel progressive scan CMOS
- Support H.264&MJPEG dual codec
- 25/30fps@1.3M(1280× 960)
- Smart Detection supported
- DWDR, Day/Night(ICR), 3DNR,AWB,AGC,BLC
- Multiple network monitoring:  
Web viewer, Snappy Universal CMS
- 3.6mm fixed lens (6mm optional)
- Max. IR LEDs Length 30m
- IP67, PoE

Dimensions (mm)



## Technical Specifications

Model	<b>IP-B1103FC</b>	
<b>Camera</b>		
Image Sensor	1/3" 1.3Megapixel progressive scan CMOS	
Effective Pixels	1280(H) x 960(V)	
Scanning System	Progressive	
Electronic Shutter Speed	Auto/Manual, 1/ 3(4)~1/100 000s	
Min. Illumination	0.01Lux/F2.0(Color), 0 Lux/F2.0(IR on )	
S/N Ratio	More than 50dB	
Video Output	N/A	
<b>Camera Features</b>		
Max. IR LEDs Length	30m	
Day/Night	Auto(ICR)/Color/B/W	
Backlight Compensation	BLC / HLC / DWDR	
White Balance	Auto/Sunny/Night/Outdoor/Customized	
Gain Control	Auto/Manual	
Noise Reduction	3D	
Privacy Masking	Up to 4 areas	
<b>Lens</b>		
Focal Length	3.6mm (6mm optional)	
Max Aperture	F2.0(F2.0)	
Focus Control	Manual	
Angle of View	H:74°(47°)	
Lens Type	Fixed lens	
Mount Type	Board-in Type	
<b>Video</b>		
Compression	H.264/H.264B/H.264H/ MJPEG	
Resolution	1.3M(1280x960)/720P(1280x720 )/ D1(704x576 /704x480 ) / CIF(352x288 /352x240 )	
Frame Rate	Main Stream	1.3M/ 720P(1 ~ 25/30fps)
	Sub Stream	D1/CIF(1 ~ 25/30fps)
	Third Stream	720P(1 ~ 1 4/7 fps)
Bit Rate	H.264: 32K ~ 10Mbps	
Corridor Mode	Support	
<b>Audio</b>		
Compression	N/A	
Interface	N/A	
<b>Smart Function</b>		
Smart detection	Tripwire	
	Intrusion	
	Abandoned/Missing	
	Scene Change	
	Audio detect	

	Face detect
<b>Network</b>	
Ethernet	RJ-45 (10/100Base -T)
Wi-Fi	N/A
Protocol	IPv4/IPv6, HTTP, HTTPS, SSL, TCP/IP, UDP, UPnP, ICMP, IGMP, SNMP, RTSP, RTP, SMTP, NTP, DHCP, DNS, PPPOE, DDNS, FTP, IP Filter, QoS, Bonjour, 802.1x
Compatibility	ONVIF, PSIA, CGI
Max. User Access	20 users
Smart Phone	iPhone, iPad, Android, Windows Phone
<b>Auxiliary Interface</b>	
Memory Slot	N/A
RS485	N/A
Alarm	N/A
PIR Sensor Range	N/A
<b>General</b>	
Power Supply	DC12V, PoE (802.3af)
Power Consumption	<4.5 W
Working Environment	-30°C~+60°C, Less than 95% RH
Ingress Protection	IP67
Vandal Resistance	N/A
Dimensions	Φ 70mm×165mm
Weight	0.42kg

### Accessory (Optional)



**Mailing Address**  
 Snappy  
 Orlyplein 85  
 1043 DS Amsterdam  
 The Netherlands

**Contact Details**  
 Tel : +31 (0) 204037397  
 Fax : +31 (0) 204037310  
 Email : sales1@snappyeurope.com  
 sales2@snappyeurope.com  
 Website : www.snappyeurope.com