

# 3 MegaPixel IP Bullet Camera

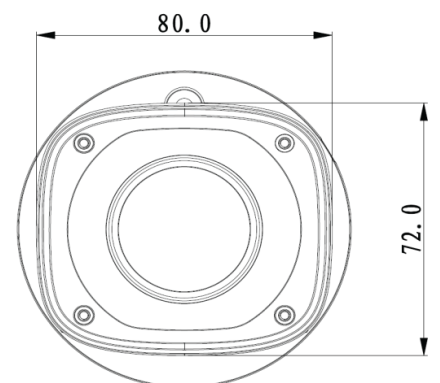
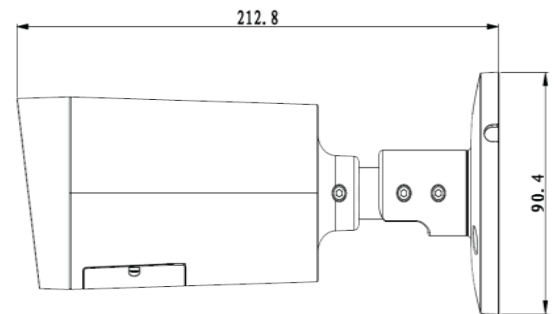


**Model: IP-B3MVFC**

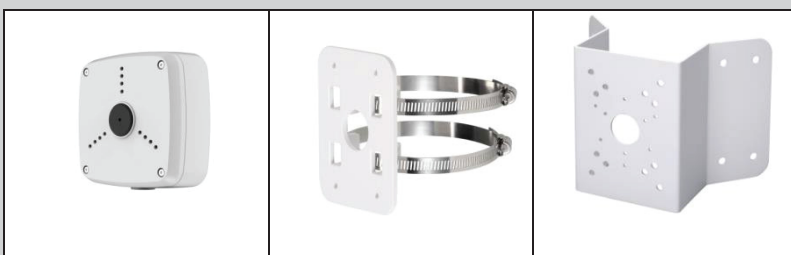
## Features

- ▶ 1/3" 3Megapixel progressive CMOS
- ▶ H.264 & MJPEG dual-stream encoding
- ▶ Max 20fps@3M(2048x1536) & 25/30fps@1080P(1920 x1080)
- ▶ DWDR, Day/Night(ICR), 3DNR, AWB, AGC, BLC
- ▶ Multiple network monitoring: Web viewer, Snappy Universal CMS
- ▶ 2.7~12mm varifocal lens
- ▶ Max IR LEDs Length 30m
- ▶ IP66, PoE

## Dimensions (mm)



## Accessory (optional)



# Technical Specification

<b>Model :</b>	<b>IP-B3MVFC</b>
<b>Camera</b>	
Image Sensor	1/3"3Megapixelprogressive scanCMOS
Effective Pixels	2048(H)x1536(V)
Scanning System	Progressive
Electronic Shutter Speed	Auto/Manual, 1/3(4)~1/10000s
Min. Illumination	0.01Lux/F1.4(Color), 0Lux/F1.4(IR on)
S/N Ratio	More than 50dB
Video Output	N/A
<b>Camera Features</b>	
Max. IR LEDs Length	30m
Day/Night	Auto(ICR)/Color/B/W
Backlight Compensation	BLC / HLC / DWDR
White Balance	Auto/Manual
Gain Control	Auto/Manual
Noise Reduction	3D
Privacy Masking	Up to 4 areas
<b>Lens</b>	
Focal Length	2.7mm~12mm
Max Aperture	F1.4
Focus Control	Auto
Angle of View	H: 92° ~ 28°
Lens Type	Motorized/Fixed Iris
Mount Type	Board-in Type
<b>Video</b>	
Compression	H.264/ H.264H/ MJPEG
Resolution	3M(2048x1536)/1080P(1920x1080)/1.3M(1280x960)/720P(1280x720)/D1(704x576/704x480)/CIF(352x288/352x240)
Frame Rate	Main Stream Sub Stream
	3M(1 ~ 20fps)/1080P(1 ~ 25/30fps) D1/CIF(1 ~ 25/30fps)
Bit Rate	H.264H: 40K ~ 8192Kbps; MJPEG: 40K~16384Kbps
<b>Audio</b>	
Compression	N/A
Interface	N/A
<b>Network</b>	
Ethernet	RJ-45 (10/100Base-T)
Wi-Fi	N/A
Protocol	IPv4/IPv6, HTTP, HTTPS, SSL, TCP/IP, UDP, UPnP, ICMP, IGMP, SNMP, RTSP, RTP, SMTP, NTP, DHCP, DNS, PPPOE, DDNS, FTP, IP Filter, QoS, Bonjour
Compatibility	ONVIF, CGI,PSIA
Max. User Access	20 users
Smart Phone	iPhone, iPad, Android, WindowsPhone
<b>Auxiliary Interface</b>	
Memory Slot	N/A
RS485	N/A
Alarm	N/A
PIR Sensor Range	N/A
<b>General</b>	
Power Supply	DC12V/PoE(802.3af)
Power Consumption	<8.5W
Working Environment	-30°C~+60°C, Less than 95% RH
Ingress Protection	IP66
Vandal Resistance	N/A
Dimensions	72mm×80mm×212.8mm
Weight	0.65kg

## Mailing Address

**VOSTOK Trading L.L.C,**  
304, 3rd Floor, Al Tawhidi Building,  
Khaleed Bin Waleed Road,  
P.O. Box: 27106 - Dubai,  
UNITED ARAB EMIRATES.

[www.snappy.ae](http://www.snappy.ae)

## Contact Details

Tel: (+971 4) 3558816

Fax: (+971 4) 3558817

Email : [sales1@snappy.ae](mailto:sales1@snappy.ae) /  
[sales2@snappy.ae](mailto:sales2@snappy.ae) /  
[sales3@snappy.ae](mailto:sales3@snappy.ae)