

3MP WDR Ultra-Smart Network (IR) Dome Camera

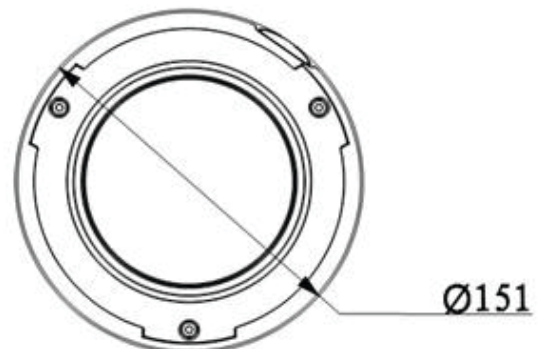
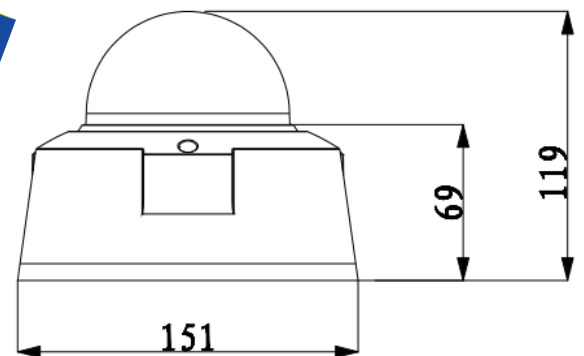
IP-D3VFIRC



Features

- 1/3" 3 Megapixel progressive scan CMOS
- Support H.264/MJPEG dual codec
- Smart triple streams supported
- Max 25/30fps@3MP(2048x1536)
- Ultra WDR (Wide Dynamic Range) up to 120dB
- Ultra 3D DNR
- Ultra Defog, ROI, EIS
- Smart IR technology
- Smart detection:
 - Face detection
 - Tripwire detection
 - Intrusion detection
 - Scene change detection
- Max. IR LEDs length 20m
- 100/1000M Base-T Ethernet,
- Micro SD memory, IP66, IK10, PoE,

Dimensions (mm)



Ordering Information

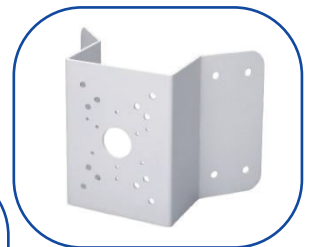
Without IR model - **IP-D3VFC**

Technical Specifications

Model	IP-D3VFIRC	
Camera		
Image Sensor	1/3" 3Megapixel Aptina CMOS	
Effective Pixels	2048(H)x1536(V)	
Scanning System	Progressive	
Electronic Shutter Speed	Auto/Manual 1/3 (4)~1/10000	
Min. Illumination	Color: 0.1Lux/F1.4, B/W: 0.01Lux/F1.4;	
S/N Ratio	More than 50dB	
Video Output	1 port	
Camera Features		
Max. IR LEDs Length	20m, Smart IR technology	
Day/Night	Auto(ICR)/Color/B/W	
Backlight Compensation	BLC / HLC / WDR (120dB)	
White Balance	Auto	
Gain Control	Auto/Manual	
Noise Reduction	3D	
Privacy Masking	Up to 4 areas	
EIS	Support	
Ultra Defog	Support	
Lens		
Focal Length	2.7 - 12mm	
Max Aperture	F1.4	
Focus Control	Manual	
Angle of View	H: 82°~25°	
Lens Type	Manual/ Auto Iris(DC)	
Mount Type	Board-in Type	
Video		
Compression	H.264 / M JPEG	
Resolution	3M(2048 × 1536) / 1080P(1920×1080) / 720P(1280×720) / D1(704×576) / CIF(352×288)	
Frame Rate	Main Stream	3M/ 1080P/720P (1~25/30fps)
	Sub Stream	D1/CIF(1 ~ 25/30fps)
	Third Stream	1080P/720P/D1(1 ~ 25/30fps)
Bit Rate	H.264: 32K ~ 8192K bps	
ROI	Up to 4 areas	
Audio		
Compression	G.711a / G.711u	
Interface	1/1 channel In/Out	
Intelligent Function		
Smart detection	Tripwire	
	Intrusion	
	Scene change	

	Missing/Abandoned
	Audio detect
	Face detect
Network	
Ethernet	RJ-45 (100/1000Base-T)
Wi-Fi	N/A
Protocol	IPv4/IPv6, HTTP, HTTPS, SSL, TCP/IP, UDP, UPnP, ICMP, IGMP, SNMP, RTSP, RTP, SMTP, NTP, DHCP, DNS, PPPOE, DDNS, FTP, IP Filter, QoS, Bonjour
Compatibility	ONVIF, PSIA, CGI
Max. User Access	20 users
Smart Phone	iPhone, iPad, Android, Windows Phone
Auxiliary Interface	
Memory Slot	Micro SD, Max 64GB
RS485	N/A
Alarm	1/1 channel In/Out
PIR Sensor Range	N/A
General	
Power Supply	DC12V/AC24V, PoE (802.3af)
Power Consumption	Max 8W (IR ON:+2W)
Working Environment	-30°C~+60°C, Less than 90%RH
Ingress Protection	IP66
Vandal Resistance	IK10
Dimensions	Φ151mm×119mm
Weight	1.25kg

Accessories (Optional)



Mailing Address

Snappy
Orlyplein 85
1043 DS Amsterdam
The Netherlands

Contact Details

Tel : +31 (0) 204037397
Fax : +31 (0) 204037310
Email : sales1@snappyeurope.com
sales2@snappyeurope.com
Website : www.snappyeurope.com