

3MP WDR Ultra-Smart Network Camera

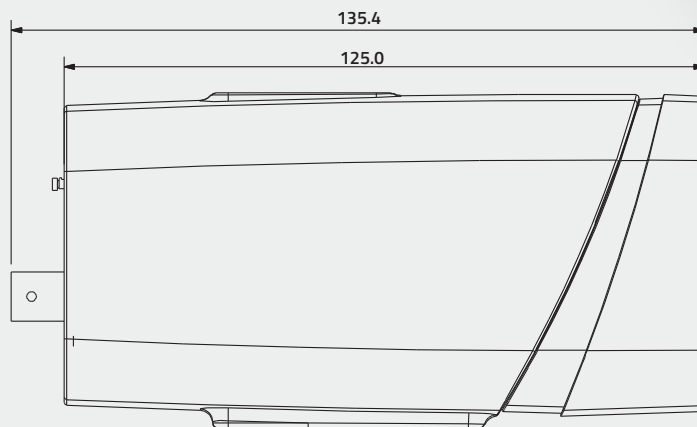
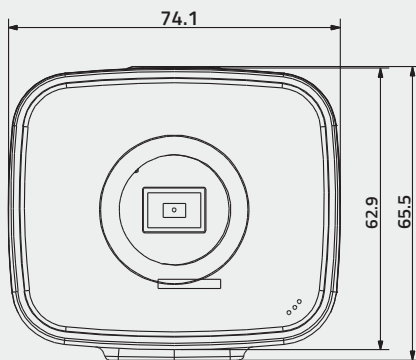
Features

- 1/3" 3 Megapixel progressive scan CMOS
- Support H.264/MJPEG dual codec
- Smart triple streams supported
- Max 25/30fps@3MP(2048x1536)
- Ultra WDR (Wide Dynamic Range) up to 120dB
- Ultra 3D DNR
- Ultra Defog, ROI, EIS
- Smart detection:
 - Face detection
 - Tripwire detection
 - Intrusion detection
 - Scene change detection
- Auto back focus
- 100/1000M Base-T Ethernet
- Micro SD memory, PoE



IP-BX3C

Dimensions (mm)

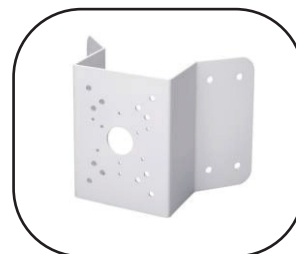


Technical Specifications

Model	IP-BX3C	
Camera		
Image Sensor	1/3" 3Megapixel CMOS	
Effective Pixels	2048(H)x1536(V)	
Scanning System	Progressive	
Electronic Shutter Speed	Auto/Manual, 1/4~1/10000s	
Min. Illumination	0. 1Lux/F1.2 (Color) , 0.01Lux/F1.2 (B/W)	
S/N Ratio	More than 5 0dB	
Video Output	1 channel BNC (1.0Vp-p,75Ω)	
Camera Features		
Max. IR LEDs Length	N/A	
Day/Night	Auto(ICR)/Color/B/W	
Backlight Compensation	BLC / HLC / WDR 120dB	
White Balance	Auto/Manual	
Gain Control	Auto/Manual	
Noise Reduction	3D	
Privacy Masking	Up to 4 areas	
EIS	Support	
Ultra Defog	Support	
Smart focus	ABF	
Lens		
Mount Type	C/CS	
Video		
Compression	H.264/MJPEG	
Resolution	3M(2048 × 1536)/ 1080P(1920×1080)/720P(1280×720) /D1(704×576) /CIF(352×288)	
Frame Rate	Main Stream	3M/ 1080P (1~25/30fps)
	Sub Stream	D1/CIF(1 ~ 25/30fps)
	Third Stream	1080P/720P/D1(1 ~ 25/30fps)
Bit Rate	H.264: 48 K ~ 8192K bps	
ROI	Up to 4 areas	
Audio		
Compression	G.711a / G.711u	
Interface	1/1 channel In/Out	
Smart Function		
Smart detection	Tripwire	
	Intrusion	
	Scene change	
	Missing/Abandoned	
	Audio detect	
	Face detect	
Network		

Ethernet	RJ-45 (100 /1000 Base-T)
Wi-Fi	N/A
Protocol	IPv4/IPv6, HTTP, HTTPS, SSL, TCP/IP, UDP, UPnP, ICMP, IGMP, SNMP, RTSP, RTP, SMTP, NTP, DHCP, DNS, PPPOE, DDNS, FTP, IP Filter, QoS, Bonjour
Compatibility	ONVIF, PSIA, CGI
Max. User Access	20 users
Smart Phone	iPhone, iPad, Android, Windows Phone
Auxiliary Interface	
Memory Slot	Micro SD, Max 64GB
RS485	1
Alarm	2/1 channel In/Out
General	
Power Supply	DC12V/AC24V, PoE (802.3af)
Power Consumption	Max 3.5W
Working Environment	-30°C~+60°C, Less than 95% RH
Ingress Protection	N/A
Dimensions	74.1 mm×65.5 mm× 135.4 mm
Weight	0.3Kg

Accessory (optional)



Mailing Address

Snappy
Orlyplein 85
1043 DS Amsterdam
The Netherlands

Contact Details

Tel : +31 (0) 204037397
Fax : +31 (0) 204037310
Email : sales1@snappyeurope.com
sales2@snappyeurope.com
Website : www.snappyeurope.com