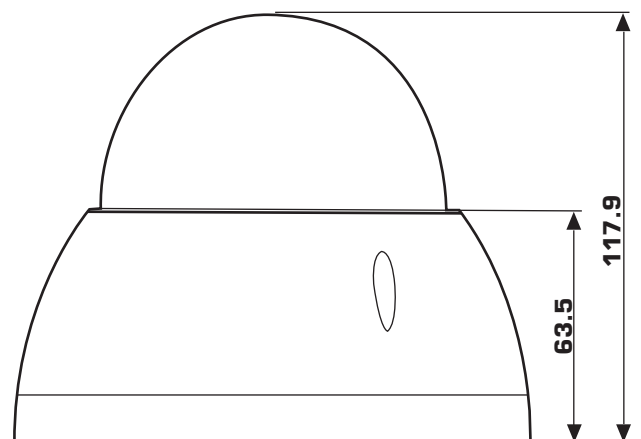


## 12Megapixel Ultra HD Network IR Dome Camera



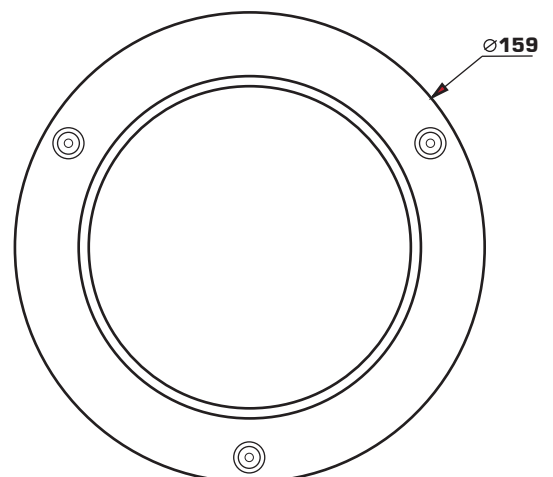
**IP-D12MVFC**

Dimensions (mm)



## Features

- 1/1.7" 12Megapixel progressive scan CMOS
- Support H.264&MJPEG dual codec
- Max 15fps@12Mp(4000× 3000),25/30fps@4K(3840x2160)
- DWDR, Day/Night(ICR), 3DNR, AWB, AGC, BLC
- Multiple network monitoring:  
Web viewer, Snappy Universal CMS
- 4.1mm ~16.4mm motorized lens
- Max. IR LEDs Length 50m
- IP67, PoE



## Technical Specifications

Model	<b>IP-D12MVFC</b>	
<b>Camera</b>		
Image Sensor	1/1.7" 12Megapixel progressive scan CMOS	
Effective Pixels	4000(H) x 3000(V)	
Scanning System	Progressive	
Electronic Shutter Speed	Auto/Manual, 1/3(4)~1/1000 00s	
Min. Illumination	0.05Lux/F1.4(Color) ; 0Lux/F1.4(IR on)	
S/N Ratio	More than 50dB	
Video Output	1 port	
<b>Camera Features</b>		
Max. IR LEDs Length	50m	
Day/Night	Auto(ICR) / Color / B/W	
Backlight Compensation	BLC / HLC / DWDR	
White Balance	Auto/Sunny/Night/Outdoor/Customized	
Gain Control	Auto/Manual	
Noise Reduction	3D	
Privacy Masking	Up to 4 areas	
<b>Lens</b>		
Focal Length	4.1mm~16.4mm	
Max Aperture	F1.4	
Focus Control	Motorized	
Angle of View	H: 106 ° ~ 32 °	
Lens Type	Motorized/ Auto Iris(DC)	
Mount Type	Board-in Type	
<b>Video</b>		
Compression	H.264/H.264B/H.264H/ MJPEG	
Resolution	12M(4000x3000)/8M(4096 ×2160)/8M(3840 ×2160)/ 1080P(1920×1080)/720P(1280×720) /D1(704×576) /CIF(352×288)	
Frame Rate	Main Stream	12M(1~15fps)/ 8M(3840x2160) (1~25/30fps)
	Sub Stream	D1/CIF(1 ~ 25 /30fps)
	Third Stream	1080P/720P/D1(1 ~ 25/30fps)
Bit Rate	H.264: 32K ~ 16M bps	
<b>Audio</b>		
Compression	G.711a/ G.711u/ AAC	
Interface	1/1 channel In/Out	
<b>Smart Function (Optional)</b>		
Smart detection	Tripwire	
	Intrusion	
	Scene change	
	Missing/Abandoned	
	Audio detect	

	Defocus detect
	Face detect
<b>Network</b>	
Ethernet	RJ-45 (10/100Base -T)
Wi-Fi	N/A
Protocol	IPv4/IPv6, HTTP, HTTPS, SSL, TCP/IP, UDP, UPnP, ICMP, IGMP, SNMP, RTSP, RTP, SMTP, NTP, DHCP, DNS, PPPOE, DDNS, FTP, IP Filter, QoS, Bonjour, 802.1x
ONVIF	ONVIF ,PSIA,CGI
Max. User Access	20users
Smart Phone	iPhone, iPad, Android, Windows Phone
<b>Auxiliary Interface</b>	
Memory Slot	Micro SD, Max 128GB
RS485	N/A
Alarm	1/1 channel In/Out
PIR Sensor Range	N/A
<b>General</b>	
Power Supply	DC12V /AC24V, PoE (802.3a t)
Power Consumption	<24W (with IR on, motorized lens working)
Working Environment	-30°C~+60°C, Less than 95% RH
Ingress Protection	IP67
Vandal Resistance	IK10
Dimensions	Φ 159mm×117.9mm
Weight	1.1 kg

Accessory (optional)



**Mailing Address**

Snappy  
Orlyplein 85  
1043 DS Amsterdam  
The Netherlands

**Contact Details**

Tel : +31 (0) 204037397  
Fax : +31 (0) 204037310  
Email : sales1@snappyeurope.com  
sales2@snappyeurope.com  
Website : www.snappyeurope.com