

AI Edge Computer



IP40



Fanless



Low Power



DDR4



4K Ultra HD



12 /24 VDC



NVIDIA
Jetson TX2

Model
611-210-EY

Features

- NVIDIA® Jetson™ TX2 with Pascal™, 256 CUDA cores GPU
- High performance AI computing for GPU-accelerated processing
- Ideal for intelligent edge applications, machine learning, and computer vision
- Supports M.2 PCIe, SATA SSD, and MicroSD slots
- Supports 2 USB 3.1 Gen 1 and 2 COM or 2 CAN
- Wide operating temperature from -30°C to +60°C
- Supports JetPack

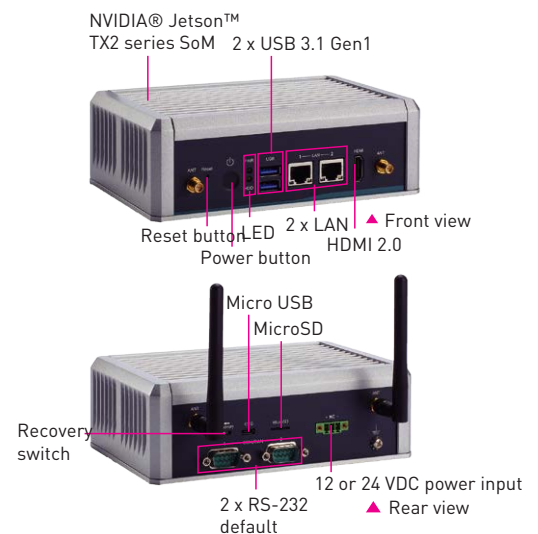
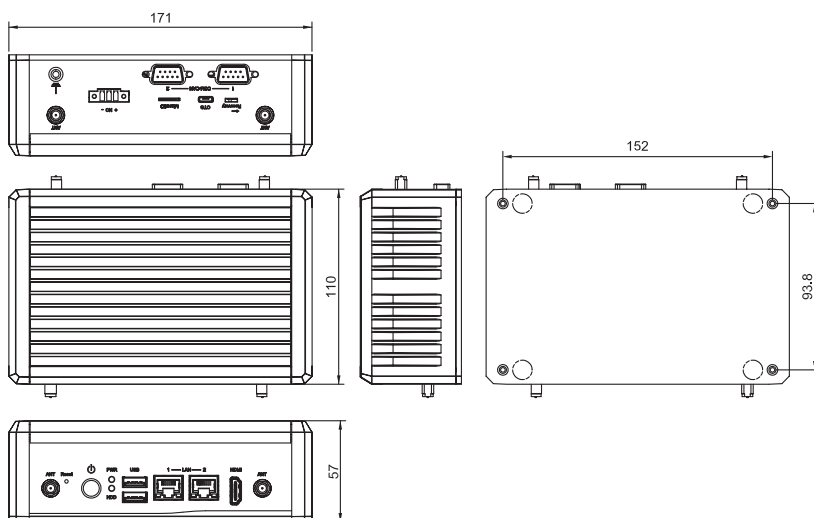
Power Protection

DC Version
OVP (over voltage protection)
OCP (over current protection)

Technical Specifications

Standard Color	Silver
Construction	Aluminum extrusion and heavy-duty steel, IP40
AI Accelerator	NVIDIA® Jetson Nano™ TX2
CPU	HMP Dual Denver 2/2 MB L2 + Quad ARM® A57/2 MB L2
GPU	NVIDIA® Pascal™, 256 CUDA cores
System Memory	8GB 128-bit LPDDR4@1866 MHz onboard
Carried Board	SBC87901
System I/O Outlet	1 x HDMI 2.0 with 4K2K supported 2 x 10/100/1000 Mbps Ethernet (NVIDIA® + Intel® i210-IT) 2 x USB 3.1 Gen1 1 x Micro USB 2 x RS-232 default (or 2 x CAN by jumper settings) 1 x Recovery switch 1 x Reset button 1 x Power button 1 x 12 VDC power input connector 4 x SMA-type antenna connector
Watchdog Time	Built-in TX2
Storage	Onboard 32GB eMMC (via Jetson™ TX2 8GB) 1 x M.2 Key M 2280 with PCIe x1 and SATA SSD slot 1 x Micro SD slot *The bootable device is supported by eMMC only
Wireless Module	802.11ac WLAN, Bluetooth onboard (TX2 8GB only)
Expansion Interface	1 x Full-size PCI Express Mini Card slot (USB + PCI Express signal) *Either Mini PCIe connector or Micro USB (select by recovery switch) 1 x SIM slot
System Indicator	1 x Green LED for system power-on 1 x Yellow LED for M.2 storage
Power Supply	12 or 24 VDC
Operating Temperature	-30°C to +60°C (-22°F to +140°F)
Humidity	10% - 95%, non-condensing
Vibration Endurance	3 Grms with M.2 (5 to 500Hz, X, Y, Z directions)
Dimensions	171 mm (6.73") (W) x 110 mm (4.33") (D) x 57 mm (2.24") (H)
Weight (net/gross)	1.2kg (2.64lb)/1.7 kg (3.75 lb)
Certifications	CE, FCC Class A
OS Support	Linux Ubuntu 18.04

Dimensions



Mailing Address

VOSTOK Trading L.L.C,
304, 3rd Floor, Al Tawhidi Building,
Khaleed Bin Waleed Road,
P.O. Box: 27106 - Dubai,
UNITED ARAB EMIRATES.

Contact Details

Tel: (+971 4) 3558816
Fax: (+971 4) 3558817

Email : sales1@snappy.ae /
sales2@snappy.ae /
sales3@snappy.ae