

Full HD Monitor

21.5" inch

Model
SNY-M22



Features

- Suitable for continuous 24/7 operation
- Ultra-thin body with metal housing;
- Micro bezel design, elegant appearance, ultra-light base;
- 6.5ms fast response time with no image blurring or ghosting
- 178°H/178°V extra-wide viewing angle for overall viewing performance;
- Support multiple signal inputs including HDMI and VGA;
- Low energy consumption, long service life;

Technical Specification

Model	
Model	SNY-M22
Display	
Screen Size	21.45"
Aspect Ratio	16:9
Resolution	1920x1080 (FHD)
Backlight	W-LED
Brightness/Luminance	250 cd/ m ²
Contrast	1000:1
Display Color	16.7M(8bit)
Viewing Angle(H/V)	178°(H)/178°(V)
Response time (typ.)	6.5ms
Refresh Rate	60 HZ
Signals	
Input	VGAx1, HDMIx1,

General

Power Supply	12Vdc,2A	
Consumption (Standard)	24W	
Consumption (Standby)	≤0.5W	
Net Weight	2.1kg (4.63lb)	
Gross Weight	3.3kg (7.28lb)	
Wall Mount	75x75mm (3.0"x3.0")	
Dimension without standard (LxHxW)	491.7x38x285.1mm (19.4"x1.5" x11.2")	
Package(LxHxW)	548x108*355mm (21.6"x4.3"x14.0")	
Work Environment	Temperature	0°C ~40°C (32°F~104°F)
	Humidity	10%~85%

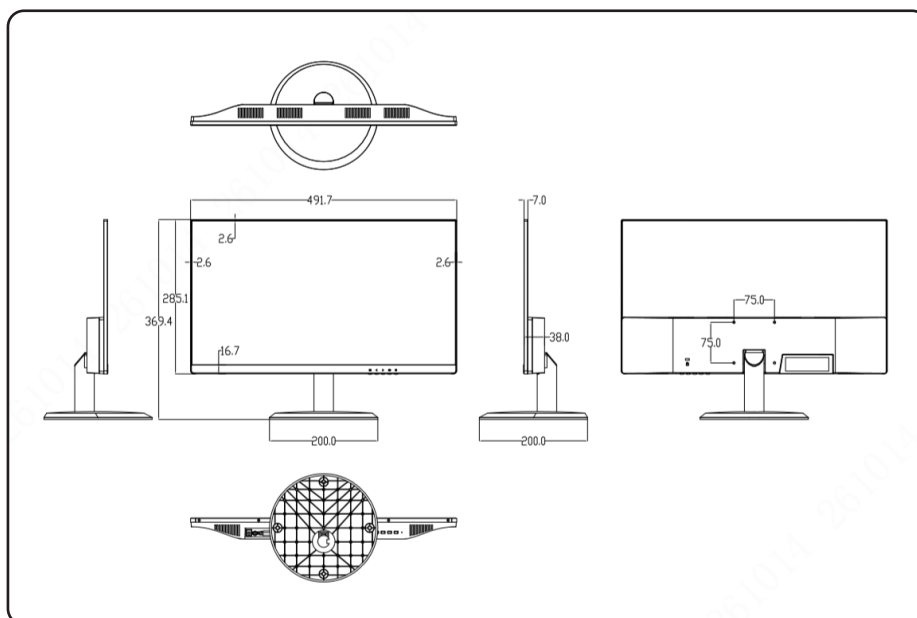
Accessory

Standard	HDMI cable, power cable, Pedestal	
Optional	Hanging bracket	

Certifications

Certifications	CE/FCC
----------------	--------

Dimensions (mm)



Mailing Address

VOSTOK Trading L.L.C,
304, 3rd Floor, Al Tawhidi Building,
Khaleed Bin Waleed Road,
P.O. Box: 27106 - Dubai,
UNITED ARAB EMIRATES.

Contact Details

Tel: (+971 4) 3558816
Fax: (+971 4) 3558817

Email : sales1@snappy.ae /
sales2@snappy.ae /
sales3@snappy.ae